



# KSZ8864RMN

## Integrated 4-Port 10/100 Managed Switch with Two MACs MII or RMII Interfaces

Rev 1.6

### General Description

The KSZ8864RMN is a highly-integrated, Layer 2 managed 4-port switch with optimized design, plentiful features and smallest package size. It is designed for cost-sensitive 10/100Mbps 4-port switch systems with on-chip termination, lowest-power consumption, and small package to save system cost. It has 1.4Gbps high-performance memory bandwidth, shared memory-based switch fabric with full non-blocking configuration. It also provides an extensive feature set such as the power management, programmable rate limiting and priority ratio, tag/port-based VLAN, packet filtering, quality of service (QoS), four queue prioritization, management interface, MIB counters. Port 3 and Port 4 support either MII or RMII interfaces with SW3-MII/RMII and SW4-MII/RMII (see Functional Diagram) for KSZ8864RMN data interface. An industrial temperature-grade version of the KSZ8864RMNI and a qualified AEC-Q100 Automotive version of the KSZ8864RMNU are also available (see the Ordering Information section).The KSZ8864RMN provides multiple CPU control/data interfaces to effectively address both current and emerging fast Ethernet applications.

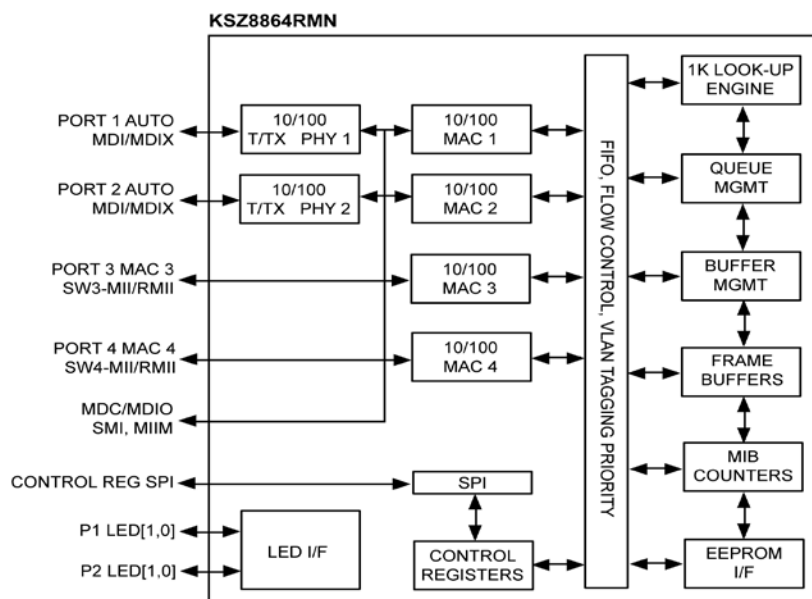
The KSZ8864RMN consists of 10/100 fast Ethernet PHYs with patented and enhanced mixed-signal technology, media access control (MAC) units, a high-speed non-blocking switch fabric, a dedicated address lookup engine, and an on-chip frame buffer memory.

The KSZ8864RMN contains four MACs and two PHYs. The two PHYs support the 10/100Base-T/TX.

All registers of MACs and PHYs units can be managed by the control interface of SPI or the SMI. MIIM registers of the PHYs can be accessed through the MDC/MDIO interface. EEPROM can set all control registers by I<sup>2</sup>C controller interface for the unmanaged mode.

Datasheets and support documentation can be found on Micrel's website at: [www.micrel.com](http://www.micrel.com).

### Functional Diagram



## Features

### Advanced Switch Features

- IEEE 802.1q VLAN support for up to 128 VLAN groups (full-range 4096 of VLAN IDs).
- Static MAC table supports up to 32 entries.
- VLAN ID tag/untag options, per port basis.
- IEEE 802.1p/q tag insertion or removal on a per port basis based on ingress port (egress).
- Programmable rate limiting at the ingress and egress on a per port basis.
- Jitter-free per packet based rate limiting support.
- Broadcast storm protection with percentage control (global and per port basis).
- IEEE 802.1d rapid spanning tree protocol RSTP support.
- Tail tag mode (1 byte added before FCS) support at Port 4 to inform the processor which ingress port receives the packet.
- 1.4Gbps high-performance memory bandwidth and shared memory based switch fabric with fully non-blocking configuration.
- Dual MII/RMII with MAC 3 SW3-MII/RMII and MAC 4 SW4-MII/RMII interfaces.
- Enable/Disable option for huge frame size up to 2000 Bytes per frame.
- IGMP v1/v2 snooping (Ipv4) support for multicast packet filtering.
- IPv4/IPv6 QoS support.
- Support unknown unicast/multicast address and unknown VID packet filtering.
- Self-address filtering.

### Comprehensive Configuration Register Access

- Serial management interface (MDC/MDIO) to all PHYs registers and SMI interface (MDC/MDIO) to all registers.
- High-speed SPI (up to 25MHz) and I<sup>2</sup>C master Interface to all internal registers.
- I/O pins strapping and EEPROM to program selective registers in unmanaged switch mode.
- Control registers configurable on-the-fly (port-priority, 802.1p/d/q, AN...).

### QoS/CoS Packet Prioritization Support

- Per port, 802.1p and DiffServ-based.
- 1/2/4-queue QoS prioritization selection.
- Programmable weighted fair queuing for ratio control.
- Re-mapping of 802.1p priority field per port basis.

### Integrated 4-Port 10/100 Ethernet Switch

- New generation switch with five MACs and five PHYs that are fully compliant with the IEEE 802.3u standard.
- Non-blocking switch fabric assures fast packet delivery by utilizing an 1K MAC address lookup table and a store-and-forward architecture.
- On-chip 64Kbyte memory for frame buffering (not shared with 1K unicast address table).
- Full-duplex IEEE 802.3x flow control (PAUSE) with force mode option.
- Half-duplex back pressure flow control.
- HP Auto MDI/MDI-X and IEEE Auto crossover support.
- MII interface of MAC supports both MAC mode and PHY mode.
- Per port LED Indicators for link, activity, and 10/100 speed.
- Register port status support for link, activity, full/half duplex and 10/100 speed.
- On-chip terminations and internal biasing technology for cost down and lowest power consumption.

### Switch Monitoring Features

- Port mirroring/monitoring/sniffing: ingress and/or egress traffic to any port or MII/RMII.
- MIB counters for fully-compliant statistics gathering 34 MIB counters per port.
- Loop-back support for MAC, PHY and remote diagnostic of failure.
- Interrupt for the link change on any ports.

### Low-Power Dissipation:

- Full-chip software power-down and per port software power down.
- Energy-detect mode support <0.1W full-chip power consumption when all ports have no activity.
- Very-low full-chip power consumption (<0.3W), without extra power consumption on transformers.
- Dynamic clock tree shutdown feature.
- Voltages:
  - Analog VDDAT 3.3V only.
  - VDDIO support 3.3V, 2.5V and 1.8V.
  - Low 1.2V core power.
  - 0.13µm CMOS technology.
- Commercial temperature range: 0°C to +70°C.
- Industrial Temperature Range: -40°C to +85°C.
- Available in 64-pin QFN, lead-free small package

## Applications

- VoIP phone
- Set-top/game box
- Automotive ethernet
- Industrial control
- IPTV POF
- SOHO residential gateway
- Broadband gateway/firewall/VPN
- Integrated DSL/cable modem
- Wireless LAN access point + gateway
- Standalone 10/100 switch
- Embedded system

## Ordering Information

Part Number	Temperature Range	Package	Lead Finish/Grade
KSZ8864RMN	0°C to 70°C	64-Pin QFN	Pb-Free/Commercial
KSZ8864RMNI	-40°C to +85°C	64-Pin QFN	Pb-Free/Industrial
KSZ8864RMNU (Automotive AEC-Q100 Qualified)	-40°C to +85°C	64-Pin QFN	Pb-Free/Automotive

## Revision History

Revision	Date	Description
1.0	10/29/10	Initial document created.
1.1	12/16/10	Correct typo issue and others.
1.2	01/20/11	Update ordering information and junction thermal data.
1.3	03/18/11	Update the registers numbers, descriptions and typo error.
1.4	09/19/11	Update some descriptions of MDC/MDIO SMI mode and IGMP. Update the port register status 2 default value from 0x00 to 0x01 and a test register 191 default value from 0x00 to 0x80. Remove the note for ordering information table. Correct typo for MDI/MDIX status and lead temperature, update ESD to 2KV for chip revision A3.
1.5	02/21/12	Update descriptions for VLAN table and I2C master. Update the equation in broadcast storm protection section. Add KSZ8864RMNU automotive part in the ordering information table. Update the status register name and register bits description.
1.6	03/26/15	Update the SPI access registers range from 127 to 255. Update the operation rating to $\pm 5\%$ . Update TTL to CMOS and Min/Max I/O voltage in different VDDIO. Correct typo. Update the table of tail tag rules. Update table 6 from bit [57:55] to bit [58:56]. Update description of the port register control 2 bit [6] from bits [20:16] to bits [11:7]. Update description of the port register control 6 bit [1] and the port register status 1 bit [7]. Update description for the port register control 9 bit [0]. Update pin function for pin 47 SCONF1 in the pin description. Update data in table 22. Update package information.

## Contents

Features .....	2
Pin Configuration .....	9
Pin Description .....	10
Pin for Strap-In Options.....	16
Introduction.....	19
Functional Overview: Physical Layer Transceiver .....	19
<i>100BASE-TX Transmit</i> .....	19
<i>100BASE-TX Receive</i> .....	19
<i>PLL Clock Synthesizer</i> .....	19
<i>Scrambler/De-Scrambler (100BASE-TX only)</i> .....	19
<i>10BASE-T Transmit</i> .....	20
<i>10BASE-T Receive</i> .....	20
<i>MDI/MDI-X Auto Crossover</i> .....	20
<i>Auto-Negotiation</i> .....	22
<i>On-Chip Termination Resistors</i> .....	24
Functional Overview: Power Management .....	24
<i>Normal Operation Mode</i> .....	24
<i>Energy Detect Mode</i> .....	24
<i>Soft Power-Down Mode</i> .....	25
<i>Power Saving Mode</i> .....	25
<i>Port-Based Power-Down Mode</i> .....	25
Functional Overview: Switch Core .....	25
<i>Address Look-Up</i> .....	25
<i>Learning</i> .....	25
<i>Migration</i> .....	25
<i>Aging</i> .....	25
<i>Forwarding</i> .....	26
<i>Switching Engine</i> .....	26
<i>Media Access Controller (MAC) Operation</i> .....	26
<i>Inter-Packet Gap (IPG)</i> .....	26
<i>Backoff Algorithm</i> .....	26
<i>Late Collision</i> .....	26
<i>Illegal Frames</i> .....	26
<i>Flow Control</i> .....	26
<i>Half-Duplex Back Pressure</i> .....	29

<i>Broadcast Storm Protection</i> .....	29
<i>MII Interface Operation</i> .....	29
<i>Switch MAC3/MAC4 SW3/SW4-MII Interface</i> .....	29
<i>Switch MAC3/MAC4 SW3/SW4-RMII Interface</i> .....	31
Advanced Functionality .....	33
<i>Spanning Tree Support</i> .....	34
<i>Rapid Spanning Tree Support</i> .....	35
<i>Tail Tagging Mode</i> .....	36
<i>IGMP Support</i> .....	37
<i>Port Mirroring Support</i> .....	37
<i>VLAN Support</i> .....	37
<i>Rate Limiting Support</i> .....	38
<i>Ingress Rate Limit</i> .....	38
<i>Egress Rate Limit</i> .....	39
<i>Transmit Queue Ratio Programming</i> .....	39
<i>Filtering for Self-Address, Unknown Unicast/Multicast Address and Unknown VID Packet/IP Multicast</i> .....	39
<i>Configuration Interface</i> .....	39
<i>SPI Slave Serial Bus Configuration</i> .....	40
<i>MII Management Interface (MIIM)</i> .....	43
<i>Serial Management Interface (SMI)</i> .....	43
Register Description .....	45
<i>Global Registers</i> .....	46
<i>Port Registers</i> .....	56
<i>Advanced Control Registers</i> .....	65
<i>Data Rate Selection Table in 100BT</i> .....	80
<i>Data Rate Selection Table in 10BT</i> .....	81
Static MAC Address Table .....	83
VLAN Table .....	86
Dynamic MAC Address Table .....	89
MIB (Management Information Base) Counters .....	91
<i>For Port 1</i> .....	91
<i>All Ports Dropped Packet MIB Counters</i> .....	92
<i>Format of "All Dropped Packet" MMIB Counter</i> .....	92
MIIM Registers .....	94
Absolute Maximum Ratings .....	98
Operating Ratings .....	98
Electrical Characteristics.....	98

---

Timing Diagrams .....	100
<i>EEPROM Timing</i> .....	100
<i>MII Timing</i> .....	101
<i>RMII Timing</i> .....	103
<i>SPI Timing</i> .....	104
<i>Auto-Negotiation Timing</i> .....	106
<i>MDC/MDIO Timing</i> .....	107
<i>Reset Timing</i> .....	108
Selection of Isolation Transformer .....	110
<i>Selection of Transformer Venders</i> .....	110
<i>Selection of Reference Crystal</i> .....	110
Package Information .....	111

## List of Figures

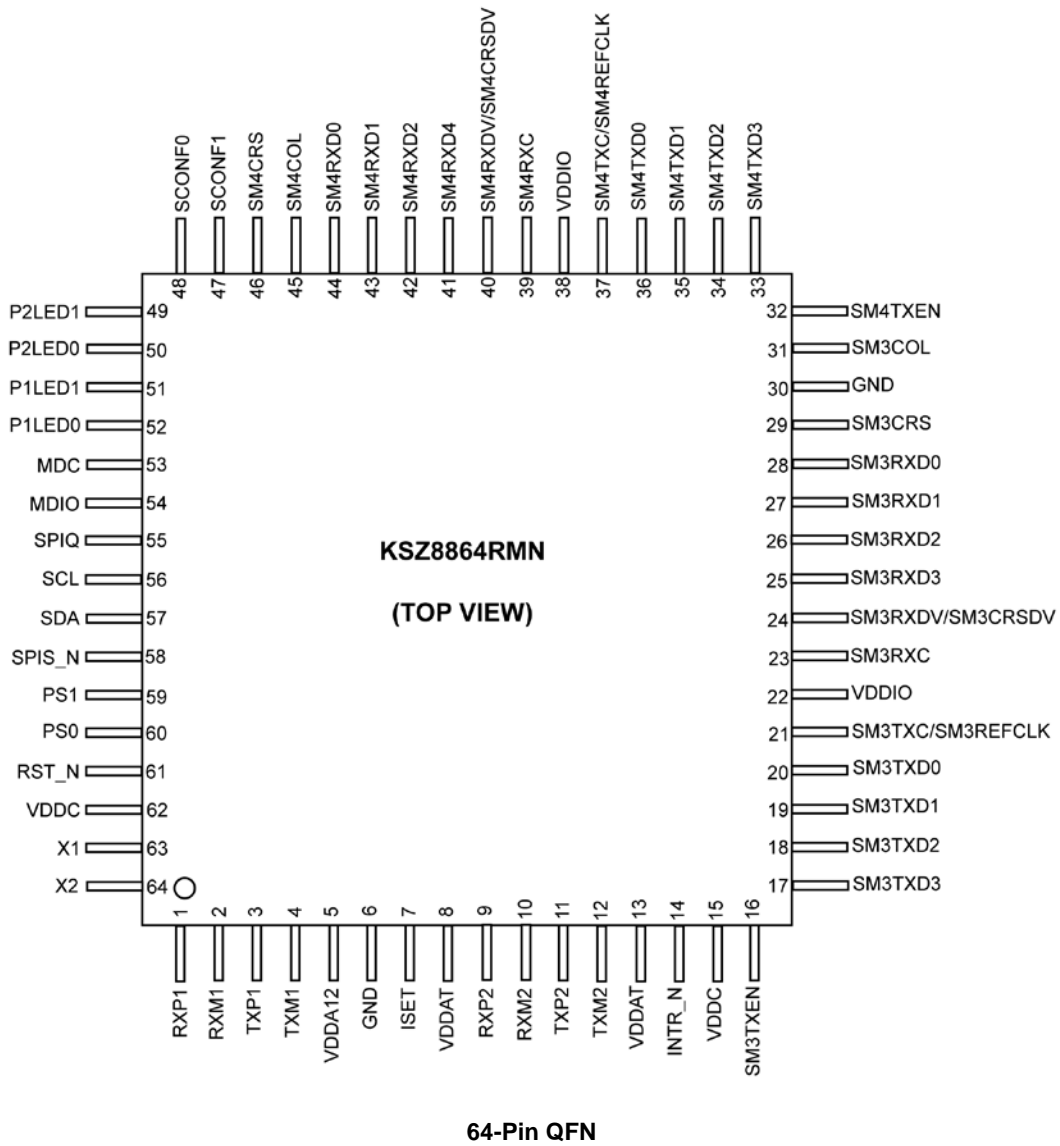
Figure 1.	Typical Straight Cable Connection .....	21
Figure 2.	Typical Crossover Cable Connection .....	22
Figure 3.	Auto-Negotiation .....	23
Figure 4.	Destination Address Lookup Flow Chart – Stage 1 .....	27
Figure 5.	Destination Address Resolution Flow Chart – Stage 2 .....	28
Figure 6.	802.1p Priority Field Format .....	34
Figure 7.	Tail-Tag Frame Format .....	36
Figure 8.	KSZ8864RMN EEPROM Configuration Timing Diagram .....	40
Figure 9.	SPI Write Data Cycle .....	41
Figure 10.	SPI Read Data Cycle .....	41
Figure 11.	SPI Multiple Write .....	42
Figure 12.	SPI Multiple Read .....	42
Figure 13.	EEPROM Interface Input Receive Timing Diagram.....	100
Figure 14.	EEPROM Interface Output Transmit Timing Diagram.....	100
Figure 15.	MAC Mode MII Timing – Data Received from MII .....	101
Figure 16.	MAC Mode MII Timing – Data Transmitted from MII .....	101
Figure 17.	PHY Mode MII Timing – Data Received from MII.....	102
Figure 18.	PHY Mode MII Timing – Data Transmitted from MII.....	102
Figure 19.	RMII Timing – Data Received from RMII .....	103
Figure 20.	RMII Timing – Data Transmitted to RMII .....	103
Figure 21.	SPI Input Timing .....	104
Figure 22.	SPI Output Timing.....	105
Figure 23.	Auto-Negotiation Timing .....	106
Figure 24.	MDC/MDIO Timing.....	107
Figure 25.	Reset Timing.....	108
Figure 26.	Recommended Reset Circuit.....	109
Figure 27.	Recommended Circuit for Interfacing with CPU/FPGA Reset.....	109

## List of Tables

Table 1.	MDI/MDI-X Pin Definitions .....	20
Table 2.	Internal Function Block Status .....	24
Table 3.	Switch MAC 3 SW3-MII and MAC 4 SW4-MII Signals .....	30
Table 4.	MAC3 SW3-RMII and MAC4 SW4-RMII Connection .....	32
Table 5.	Tail Tag Rules .....	36
Table 6.	FID+DA Look-Up in the VLAN Mode .....	38
Table 7.	FID+SA Look-Up in the VLAN Mode .....	38
Table 8.	SPI Connections .....	41
Table 9.	MII Management Interface Frame Format .....	43
Table 10.	Serial Management Interface (SMI) Frame Format .....	43
Table 11.	100BT Rate Selection for the Rate Limit.....	80
Table 12.	10BT Rate Selection for the Rate Limit.....	81
Table 13.	Format of Static MAC Table for Reads .....	83
Table 14.	Format of Static MAC Table for Writes .....	84
Table 15.	VLAN Table .....	86
Table 16.	VLAN ID and Indirect Registers .....	88
Table 17.	Dynamic MAC Address Table .....	89
Table 18.	EEPROM Timing Parameters .....	100
Table 19.	MAC Mode MII Timing Parameters.....	101
Table 20.	PHY Mode MII Timing Parameters .....	102
Table 21.	RMII Timing Parameters .....	103
Table 22.	SPI Input Timing Parameters .....	104
Table 23.	SPI Output Timing Parameters .....	105
Table 24.	Auto-Negotiation Timing Parameters.....	106
Table 25.	MDC/MDIO Typical Timing Parameters.....	107
Table 26.	Reset Timing Parameters .....	108
Table 27.	Transformer Selection Criteria .....	110
Table 28.	Qualified Magnetic Vendors .....	110
Table 29.	Typical Reference Crystal Characteristics .....	110



# Pin Configuration



## Pin Description

Pin Number	Pin Name	Type <sup>(1)</sup>	Port	Pin Function <sup>(2)</sup>
1	RXP1	I	1	Physical receive signal + (differential).
2	RXM1	I	1	Physical receive signal – (differential).
3	TXP1	O	1	Physical transmit signal + (differential).
4	TXM1	O	1	Physical transmit signal – (differential).
5	VDDA12	P		1.2V analog power.
6	GND	GND		Ground with all grounding of die bottom.
7	ISET			Set physical transmit output current. Pull-down with a 12.4kΩ1% resistor.
8	VDDAT	P		3.3V analog V <sub>DD</sub> .
9	RXP2	I	2	Physical receive signal + (differential).
10	RXM2	I	2	Physical receive signal - (differential).
11	TXP2	O	2	Physical transmit signal + (differential).
12	TXM2	O	2	Physical transmit signal – (differential).
13	VDDAT	P		3.3V analog V <sub>DD</sub> .
14	INTR_N	OPU		Interrupt. This pin is Open-Drain output pin.
15	VDDC	P		1.2V digital core V <sub>DD</sub> .
16	SM3TXEN	IPD	3	MAC3 Switch MII/RMII transmit enable.
17	SM3TXD3	IPD	3	MAC3 Switch MII transmit bit 3.
18	SM3TXD2	IPD	3	MAC3 Switch MII transmit bit 2.
19	SM3TXD1	IPD	3	MAC3 Switch MII/RMII transmit bit 1.
20	SM3TXD0	IPD	3	MAC3 Switch MII/RMII transmit bit 0.
21	SM3TXC/SM3REFCLK	I/O	3	MAC3 Switch MII transmit clock: Input: SW3-MII MAC mode. Output: SW3-MII PHY mode. Input: SW3-RMII reference clock.
22	VDDIO	P		3.3V, 2.5V or 1.8V digital V <sub>DD</sub> for digital I/O circuitry.
23	SM3RXC	I/O	3	MAC3 Switch MII Receive clock: Input: SW3-MII MAC mode. Output: SW3-MII PHY mode. Output: SW3-RMII reference clock. Unused RMII clock can be pull-down or disable by register 87.
24	SM3RXDV/SM3CRSDV	IPD/O	3	SM3RXDV: MAC3 Switch SW3-MII receive data valid. SM3CRSDV: MAC3 Switch SW3-RMII Carrier Sense/Receive Data Valid.
25	SM3RXD3	IPD/O	3	MAC3 Switch MII receive bit 3. Strap option: PD (default) = enable flow control; PU = disable flow control.

**Pin Description (Continued)**

Pin Number	Pin Name	Type <sup>(1)</sup>	Port	Pin Function <sup>(2)</sup>
26	SM3RXD2	IPD/O	3	MAC3 Switch MII receive bit 2 and Strap option: PD (default) = disable back pressure; PU = enable back pressure.
27	SM3RXD1	IPD/O	3	MAC3 Switch MII/RMII receive bit 1. Strap option: PD (default) = drop excessive collision packets; PU = does not drop excessive collision packets.
28	SM3RXD0	IPD/O	3	MAC3 Switch MII/RMII receive bit 0. Strap option: PD (default) = disable aggressive back-off algorithm in half-duplex mode; PU = enable for performance enhancement.
29	SM3CRS	IPD/O	3	MAC3 Switch MII carrier sense.
30	GND	GND		Ground with all grounding of die bottom.
31	SM3COL	IPD/O	3	MAC3 Switch MII collision detect.
32	SM4TXEN	IPD	4	MAC4 Switch MII/RMII transmit enable.
33	SM4TXD3	IPD	4	MAC4 Switch MII transmit bit 3.
34	SM4TXD2	IPD	4	MAC4 Switch MII transmit bit 2.
35	SM4TXD1	IPD	4	MAC4 Switch MII/RMII transmit bit 1.
36	SM4TXD0	IPD	4	MAC4 Switch MII/RMII transmit bit 0.
37	SM4TXC/SM4REFCLK	I/O	4	MAC4 Switch MII transmit clock: Input: SW4-MII MAC mode clock. Input: SW4-RMII reference clock, please also see the strap-in pin P1LED1 for the clock mode and normal mode. Output: SW4-MII PHY modes.
38	VDDIO	P		3.3V, 2.5V or 1.8V digital V <sub>DD</sub> for digital I/O circuitry.
39	SM4RXC	I/O	4	MAC4 Switch MII Receive clock: Input: SW4-MII MAC mode. Output: SW4-MII PHY mode. Output: SW4-RMII 50MHz reference clock (the device is default clock mode, the clock source comes from X1/X2 pins 25MHz crystal). When set the device as normal mode (the chip's clock source comes from SM4TXC), the SM4RXC reference clock output should be disabled by the register 87. Please also see the strap-in pin P1LED1 for the selection of the clock mode and normal mode.

**Pin Description (Continued)**

Pin Number	Pin Name	Type <sup>(1)</sup>	Port	Pin Function <sup>(2)</sup>		
40	SM4RXDV/SM4CRSDV	IPD/O	4	SM4RXDV: MAC4 Switch SW4-MII receive data valid. SM4CRSDV: MAC4 Switch SW4-RMII Carrier Sense/Receive Data Valid		
41	SM4RXD3	IPD/O	4	MAC4 Switch MII receive bit 3. Strap option: PD (default) = Disable Switch MII/RMII full-duplex flow control; PU = Enable Switch MII/RMII full-duplex flow control.		
42	SM4RXD2	IPD/O	4	MAC4 Switch MII receive bit 2. Strap option: PD (default) = Switch MII/RMII in full-duplex mode; PU = Switch MII/RMII in half-duplex mode.		
43	SM4RXD1	IPD/O	4	MAC4 Switch MII/RMII receive bit 1. Strap option: PD (default) = MAC4 Switch SW4-MII/RMII in 100Mbps mode; PU = MAC4 Switch SW-5MII/RMII in 10Mbps mode.		
44	SM4RXD0	IPD/O	4	MAC4 Switch MII/RMII receive bit 0. Strap option: LED mode PD (default) = mode 0; PU = Mode 1. See "Register 11."		
					Mode 0	Mode 1
				PxLED1	Lnk/Act	100Lnk/Act
				PxLED0	Speed	Full duplex
45	SM4COL	IPD/O	4	MAC4 Switch MII collision detect: Input: SW4-MII MAC modes. Output: SW4-MII PHY modes.		
46	SM4CRS	IPD/O	4	MAC4 Switch MII modes carrier sense: Input: SW4-MII MAC modes. Output: SW4-MII PHY modes.		

**Pin Description (Continued)**

Pin Number	Pin Name	Type <sup>(1)</sup>	Port	Pin Function <sup>(2)</sup>	
47	SCONF1	IPD		MAC4 Switch SW4-MII enabled with PHY mode or MAC mode, have to configure SCONF1 Pin 47 with SCONF0 Pin 48 together. See pins configuration table below:	
				Pin# (47,48)	Port 4 Switch MAC4 SW4- MII
				00 (Default)	SW4-MII PHY mode
				01	Disable port 3 and port 4
				10	Disable port 4 only
				11	SW4-MII MAC mode
48	SCONF0	IPD		Port 4 Switch SW4-MII enabled with PHY mode or MAC mode, have to configure SCONF0 pin 48 with SCONF1 Pin 47 together. See Pin 47 description.	
49	P2LED1	IPU/O	2	LED indicator for Port 2. This pin has to be pulled down by 1K resistor in the design for KSZ8864RMN.	
50	P2LED0	IPU/O	2	LED indicator for Port 2. Strap option: Switch MAC3 used only. PU (default) = Select MII interface for the Switch MAC3 SW3-MII. PD = Select RMII interface for the Switch MAC3 SW3-RMII.	
51	P1LED1	IPU/O	1	LED indicator for Port 1. Strap option: Switch RMII used only. PU (default) = Select the device as clock mode, when use RMII interface, all clock source come from pin x1/x2 crystal 25MHz. PD = Select the device as normal mode when use RMII interface. All clock source comes from SW4-RMII SM4TXC pin with an external input 50MHz clock. In the normal mode, the 25MHz crystal clock from pin X1/X2 doesn't take affect and should disable SW4-RMII SW4RXC 50MHz clock output by the register 87. The normal mode is used when SW4-RMII receive an external 50MHz RMII reference clock from pin SM4TXC.	

**Pin Description (Continued)**

Pin Number	Pin Name	Type <sup>(1)</sup>	Port	Pin Function <sup>(2)</sup>	
52	P1LED0	IPU/O	1	LED indicator for Port 1. Strap option: for Switch MAC4 only. PU (default) = Select MII interface for the Switch MAC4 SW4-MII. PD = Select RMII interface for the Switch MAC4 SW4-RMII.	
53	MDC	IPU	All	MII management interface clock. Or SMI interface clock	
54	MDIO	IPU/O	All	MII management data I/O. Or SMI interface data I/O Features internal pull down to define pin state when not driven. Note: Need an external pull-up when driven.	
55	SPIQ	IPU/O	All	SPI serial data output in SPI slave mode. Note: Need an external pull-up when driven.	
56	SPIC/SCL	IPU/O	All	(1) Input clock up to 25MHz in SPI slave mode, (2) output clock at 61KHz in I <sup>2</sup> C master mode. Note: Need an external pull-up when driven.	
57	SPID/SDA	IPU/O	All	(1) Serial data input in SPI slave mode; (2) serial data input/output in I <sup>2</sup> C master mode. Note: Need an external pull-up when driven.	
58	SPIS_N	IPU	All	Active low. (1) SPI data transfer start in SPI slave mode. When SPIS_N is high, the device is deselected and SPIQ is held in high impedance state, a high-to-low transition to initiate the SPI data transfer. (2) Not used in I <sup>2</sup> C master mode.	
59	PS1	IPD		Serial bus configuration pin. For this case, if the EEPROM is not present, the Switch will start itself with the PS[1.0] = 00 default register values.	
				Pin Configuration	Serial Bus Configuration
				PS[1.0]=00	I <sup>2</sup> C Master Mode for EEPROM
				PS[1.0]=01	SMI Interface Mode
				PS[1.0]=10	SPI Slave Mode for CPU Interface
PS[1.0]=11	Factory Test Mode (BIST)				
60	PS0	IPD		Serial bus configuration pin.	

## Pin Description (Continued)

Pin Number	Pin Name	Type <sup>(1)</sup>	Port	Pin Function <sup>(2)</sup>
61	RST_N	IPU		Reset the device. Active low.
62	VDDC	P		1.2V digital core V <sub>DD</sub> .
63	X1	I		25MHz crystal clock connection/or 3.3V Oscillator input. Crystal/Oscillator should be <= ±50ppm tolerance.
64	X2	O		25MHz crystal clock connection.

### Notes:

- P = Power supply.
  - I = Input.
  - O = Output.
  - I/O = Bidirectional.
  - GND = Ground.
  - IPU = Input w/internal pull-up.
  - IPD = Input w/internal pull-down.
  - IPD/O = Input w/internal pull-down during reset, output pin otherwise.
  - IPU/O = Input w/internal pull-up during reset, output pin otherwise.
  - NC = No connect.
- PU = Strap pin pull-up.
  - PD = Strap pull-down.
  - OTRI = Output tristated.

## Pin for Strap-In Options

The KSZ8864RMN can function as a managed switch or unmanaged switch. If no EEPROM or micro-controller exists, the KSZ8864RMN will operate from its default setting. The strap-in option pins can be configured by external pull-up/down resistors and take the effect after power up reset or warm reset, the functions are described in the following table:

Pin Number	Pin Name	Type <sup>(1)</sup>	Port	Pin Function <sup>(2)</sup>		
25	SM3RXD3	IPD/O		MAC3 Switch MII receive bit 3 Strap option: PD (default) = enable flow control; PU = disable flow control.		
26	SM3RXD2	IPD/O		MAC3 Switch MII receive bit 2 and Strap option: PD (default) = disable back pressure; PU = enable back pressure.		
27	SM3RXD1	IPD/O		MAC3 Switch MII/RMII receive bit 1 Strap option: PD (default) = drop excessive collision packets; PU = does not drop excessive collision packets.		
28	SM3RXD0	IPD/O		MAC3 Switch MII/RMII receive bit 0 Strap option: PD (default) = disable aggressive back-off algorithm in half-duplex mode; PU = enable for performance enhancement.		
41	SM4RXD3	IPD/O		MAC4 Switch MII receive bit 3. Strap option: PD (default) = Disable Switch MII/RMII full-duplex flow control; PU = Enable Switch MII/RMII full-duplex flow control.		
42	SM4RXD2	IPD/O		MAC4 Switch MII receive bit 2. Strap option: PD (default) = Switch MII/RMII in full-duplex mode; PU = Switch MII/RMII in half-duplex mode.		
43	SM4RXD1	IPD/O		MAC4 Switch MII/RMII receive bit 1. Strap option: PD (default) = MAC4 Switch SW4-MII/RMII in 100Mbps mode; PU = MAC4 Switch SW-5MII/RMII in 10Mbps mode.		
44	SM4RXD0	IPD/O		MAC4 Switch MII/RMII receive bit 0. Strap option: LED mode PD (default) = mode 0; PU = mode 1. See "Register 11."		
					Mode 0	Mode 1
				PxLED1	Lnk/Act	100Lnk/Act
				PxLED0	Speed	Full duplex



**Pin for Strap-In Options (Continued)**

Pin Number	Pin Name	Type <sup>(1)</sup>	Port	Pin Function <sup>(2)</sup>										
47	SCONF1	IPD		MAC4 Switch SW4-MII enabled with PHY mode or MAC mode, have to configure SCONF1 Pin 47 with SCONF0 Pin 48 together. See pins configuration table below:										
				<table border="1"> <tr> <td>Pin# (47,48)</td> <td>Switch MAC4 SW4- MII/RMII</td> </tr> <tr> <td>00 (Default)</td> <td>SW4-MII PHY mode</td> </tr> <tr> <td>01</td> <td>Disable port 3 and port 4</td> </tr> <tr> <td>10</td> <td>Disable port 4 only</td> </tr> <tr> <td>11</td> <td>SW4-MII MAC mode</td> </tr> </table>	Pin# (47,48)	Switch MAC4 SW4- MII/RMII	00 (Default)	SW4-MII PHY mode	01	Disable port 3 and port 4	10	Disable port 4 only	11	SW4-MII MAC mode
Pin# (47,48)	Switch MAC4 SW4- MII/RMII													
00 (Default)	SW4-MII PHY mode													
01	Disable port 3 and port 4													
10	Disable port 4 only													
11	SW4-MII MAC mode													
48	SCONF0	IPD		Port 4 Switch SW4-MII enabled with PHY mode or MAC mode, have to configure SCONF0 Pin 48 with SCONF1 Pin 47 together. See pin 47 description.										
49	P2LED1	IPU/O	2	LED indicator for Port 2. This pin has to be pulled down by 1K resistor in the design for KSZ8864RMN.										
50	P2LED0	IPU/O	2	LED indicator for Port 2. Strap option: Switch MAC3 used only. PU (default) = Select MII interface for the Switch MAC3 SW3-MII. PD = Select RMII interface for the Switch MAC3 SW3-RMII.										
51	P1LED1	IPU/O	1	LED indicator for Port 1. Strap option: Switch RMII used only. PU (default) = Select the device as clock mode. When use RMII interface, all clock source come from Pin x1/x2 crystal 25MHz. PD = Select the device as normal mode when use RMII interface. All clock sources come from SW4-RMII SM4TXC pin with an external input 50MHz clock. In the normal mode, the 25MHz crystal clock from pin X1/X2 doesn't take affect and should disable SW4-RMII SW4RXC 50MHz clock output by the register 87. The normal mode is used when SW4-RMII receive an external 50MHz RMII reference clock from pin SM4TXC.										
52	P1LED0	IPU/O	1	LED indicator for Port 1. Strap option: for Switch MAC4 only. PU (default) = Select MII interface for the Switch MAC4 SW4-MII. PD = Select RMII interface for the Switch MAC4 SW4-RMII.										

**Pin for Strap-In Options (Continued)**

Pin Number	Pin Name	Type <sup>(1)</sup>	Port	Pin Function <sup>(2)</sup>	
59	PS1	IPD		Serial bus configuration pin. For this case, if the EEPROM is not present, the Switch will start itself with the PS[1.0] = 00 default register values.	
				Pin Configuration	Serial Bus Configuration
				PS[1.0]=00	I <sup>2</sup> C Master Mode for EEPROM
				PS[1.0]=01	SMI Interface Mode
				PS[1.0]=10	SPI Slave Mode for CPU Interface
PS[1.0]=11	Factory Test Mode (BIST)				

**Notes:**

- P = Power supply.
  - I = Input.
  - O = Output.
  - I/O = Bidirectional.
  - GND = Ground.
  - IPU = Input w/internal pull-up.
  - IPD = Input w/internal pull-down.
  - IPD/O = Input w/internal pull-down during reset, output pin otherwise.
  - IPU/O = Input w/internal pull-up during reset, output pin otherwise.
  - NC = No connect.
- PU = Strap pin pull-up.
  - PD = Strap pull-down.
  - OTRI = Output tristated.

## Introduction

The KSZ8864RMN contains two 10/100 physical layer transceivers and four media access control (MAC) units with an integrated Layer 2 managed switch. The device runs in multiple modes. They are two copper + two MAC MII, two copper + two MAC RMII, two copper + 1 MAC MII + 1 MAC RMII, and two copper + 1 MAC MII or 1 MAC RMII. Those are useful for implementing multiple products in many applications.

The KSZ8864RMN has the flexibility to reside in a managed or unmanaged design. In a managed design, a host processor has complete control of the KSZ8864RMN via the SPI bus, or partial control via the MDC/MDIO interface. An unmanaged design is achieved through I/O strapping or EEPROM programming at system reset time.

On the media side, the KSZ8864RMN supports IEEE 802.3 10BASE-T, 100BASE-TX on all ports with Auto MDI/MDIX. The KSZ8864RMN can be used as fully managed 4-port switch through two microprocessors by its two MII interface or RMII interface for an advance management application.

Physical signal transmission and reception are enhanced through the use of patented analog circuitry with enhanced mix signal technology that makes the design more efficient and allows for lower power consumption and smaller chip die size.

The major enhancement of the KSZ8864RMN is a small package with two configurable MII and RMII modes for two MAC interfaces. The KSZ8864RMN supports more new features for host processor management, multiple kind of packets filtering, tag as well as port based VLAN, rapid spanning tree support, IGMP snooping support, port mirroring support and more flexible rate limiting and more functionality.

## Functional Overview: Physical Layer Transceiver

### 100BASE-TX Transmit

The 100BASE-TX transmit function performs parallel-to-serial conversion, 4B/5B coding, scrambling, NRZ-to-NRZI conversion, MLT3 encoding and transmission. The circuit starts with a parallel-to-serial conversion, which converts the MII data from the MAC into a 125MHz serial bit stream. The data and control stream is then converted into 4B/5B coding followed by a scrambler. The serialized data is further converted from NRZ-to-NRZI format, and then transmitted in MLT3 current output. The output current is set by an external 1% 12.4k $\Omega$  resistor for the 1:1 transformer ratio. It has a typical rise/fall time of 4ns and complies with the ANSI TP-PMD standard regarding amplitude balance, overshoot, and timing jitter. The wave-shaped 10BASE-T output is also incorporated into the 100BASE-TX transmitter.

### 100BASE-TX Receive

The 100BASE-TX receiver function performs adaptive equalization, DC restoration, MLT3-to-NRZI conversion, data and clock recovery, NRZI-to-NRZ conversion, de-scrambling, 4B/5B decoding, and serial-to-parallel conversion. The receiving side starts with the equalization filter to compensate for inter-symbol interference (ISI) over the twisted pair cable. Since the amplitude loss and phase distortion is a function of the length of the cable, the equalizer has to adjust its characteristics to optimize the performance. In this design, the variable equalizer will make an initial estimation based on comparisons of incoming signal strength against some known cable characteristics, then tunes itself for optimization. This is an ongoing process and can self-adjust against environmental changes such as temperature variations.

The equalized signal then goes through a DC restoration and data conversion block. The DC restoration circuit is used to compensate for the effect of baseline wander and improve the dynamic range. The differential data conversion circuit converts the MLT3 format back to NRZI. The slicing threshold is also adaptive.

The clock recovery circuit extracts the 125MHz clock from the edges of the NRZI signal. This recovered clock is then used to convert the NRZI signal into the NRZ format. The signal is then sent through the de-scrambler followed by the 4B/5B decoder. Finally, the NRZ serial data is converted to the MII format and provided as the input data to the MAC.

### PLL Clock Synthesizer

The KSZ8864RMN generates 125MHz, 83MHz, 41MHz, 25MHz, and 10MHz clocks for system timing. Internal clocks are generated from an external 25MHz crystal or oscillator.

### Scrambler/De-Scrambler (100BASE-TX only)

The purpose of the scrambler is to spread the power spectrum of the signal in order to reduce EMI and baseline wander. The data is scrambled through the use of an 11-bit wide linear feedback shift register (LFSR). This can generate a 2047-bit non-repetitive sequence. The receiver will then de-scramble the incoming data stream with the same sequence at the transmitter.

### 10BASE-T Transmit

The output 10BASE-T driver is incorporated into the 100BASE-T driver to allow transmission with the same magnetics. They are internally wave-shaped and pre-emphasized into outputs with a typical 2.3V amplitude. The harmonic contents are at least 27dB below the fundamental when driven by an all-ones Manchester-encoded signal.

### 10BASE-T Receive

On the receive side, input buffer and level detecting squelch circuits are employed. A differential input receiver circuit and a PLL perform the decoding function. The Manchester-encoded data stream is separated into clock signal and NRZ data. A squelch circuit rejects signals with levels less than 400mV or with short pulse widths in order to prevent noises at the RXP or RXM input from falsely triggering the decoder. When the input exceeds the squelch limit, the PLL locks onto the incoming signal and the KSZ8864RMN decodes a data frame. The receiver clock is maintained active during idle periods in between data reception.

### MDI/MDI-X Auto Crossover

To eliminate the need for crossover cables between similar devices, the KSZ8864RMN supports HP Auto MDI/MDI-X and IEEE 802.3u standard MDI/MDI-X auto crossover. HP Auto MDI/MDI-X is the default.

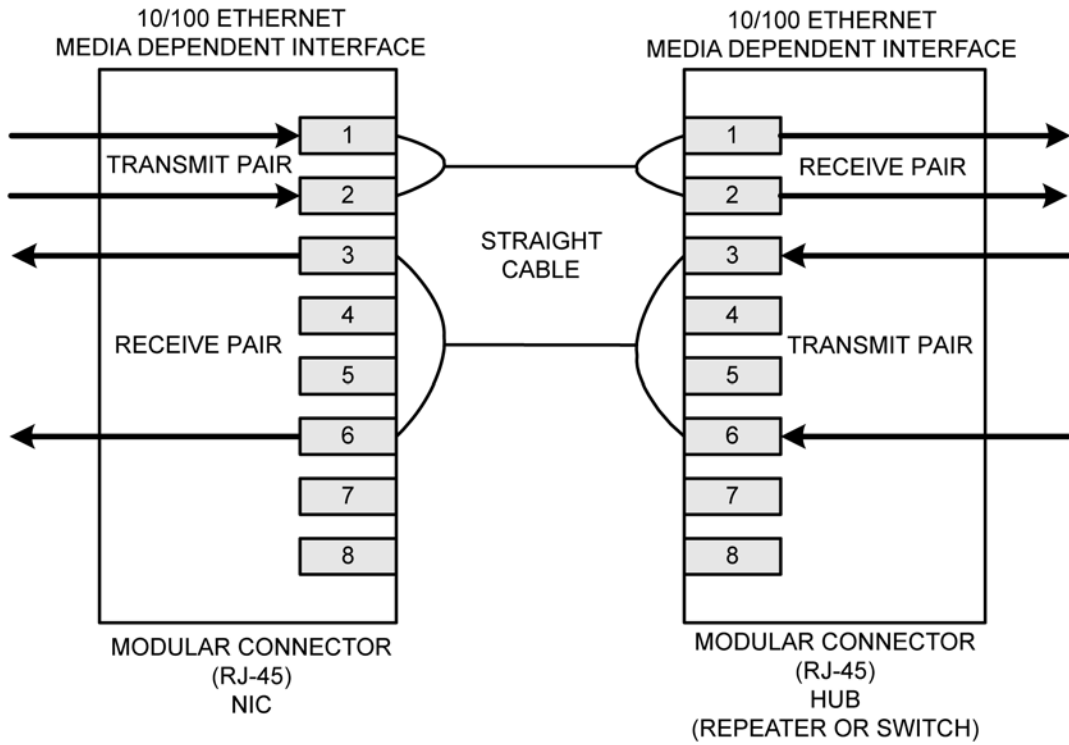
The auto-sense function detects remote transmit and receive pairs and correctly assigns transmit and receive pairs for the KSZ8898MQ/TMQ device. This feature is extremely useful when end users are unaware of cable types, and also, saves on an additional uplink configuration connection. The auto-crossover feature can be disabled through the port control registers, or MIIM PHY registers. The IEEE 802.3u standard MDI and MDI-X definitions are:

MDI		MDI-X	
RJ-45 Pins	Signals	RJ-45 Pins	Signals
1	TD+	1	RD+
2	TD-	2	RD-
3	RD+	3	TD+
6	RD-	6	TD-

**Table 1. MDI/MDI-X Pin Definitions**

**Straight Cable**

A straight cable connects an MDI device to an MDI-X device, or an MDI-X device to an MDI device. Figure 1 depicts a typical straight cable connection between a NIC card (MDI) and a switch, or hub (MDI-X).



**Figure 1. Typical Straight Cable Connection**

### Crossover Cable

A crossover cable connects an MDI device to another MDI device, or an MDI-X device to another MDI-X device. Figure 2 shows a typical crossover cable connection between two switches or hubs (two MDI-X devices).

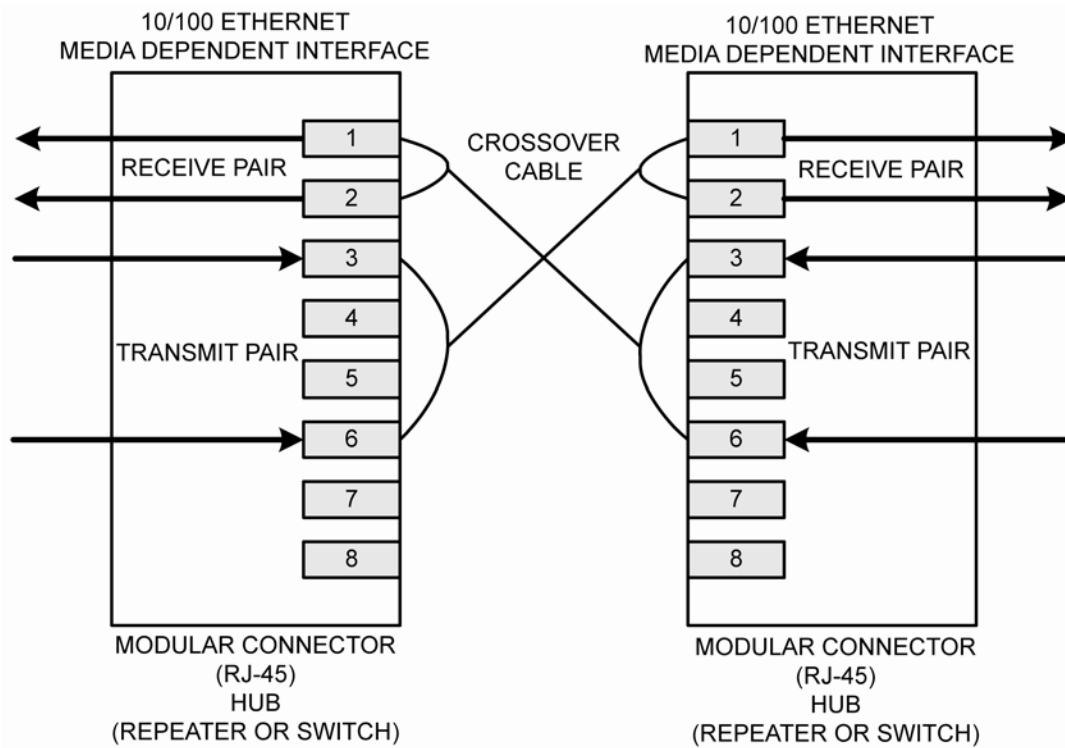


Figure 2. Typical Crossover Cable Connection

### Auto-Negotiation

The KSZ8864RMN conforms to the auto-negotiation protocol as described by the 802.3 committee. Auto-negotiation allows unshielded twisted pair (UTP) link partners to select the highest common mode of operation. Link partners advertise their capabilities to each other, and then compare their own capabilities with those they received from their link partners. The highest speed and duplex setting that is common to the two link partners is selected as the mode of operation.

The following list shows the speed and duplex operation mode from highest to lowest.

- Highest: 100Base-TX, full-duplex
- High: 100Base-TX, half-duplex
- Low: 10Base-T, full-duplex
- Lowest: 10Base-T, half-duplex

If auto-negotiation is not supported or the KSZ8864RMN link partner is forced to bypass auto-negotiation, then the KSZ8864RMN sets its operating mode by observing the signal at its receiver. This is known as parallel detection, and allows the KSZ8864RMN to establish link by listening for a fixed signal protocol in the absence of auto-negotiation advertisement protocol. The auto-negotiation link up process is shown in Figure 3:

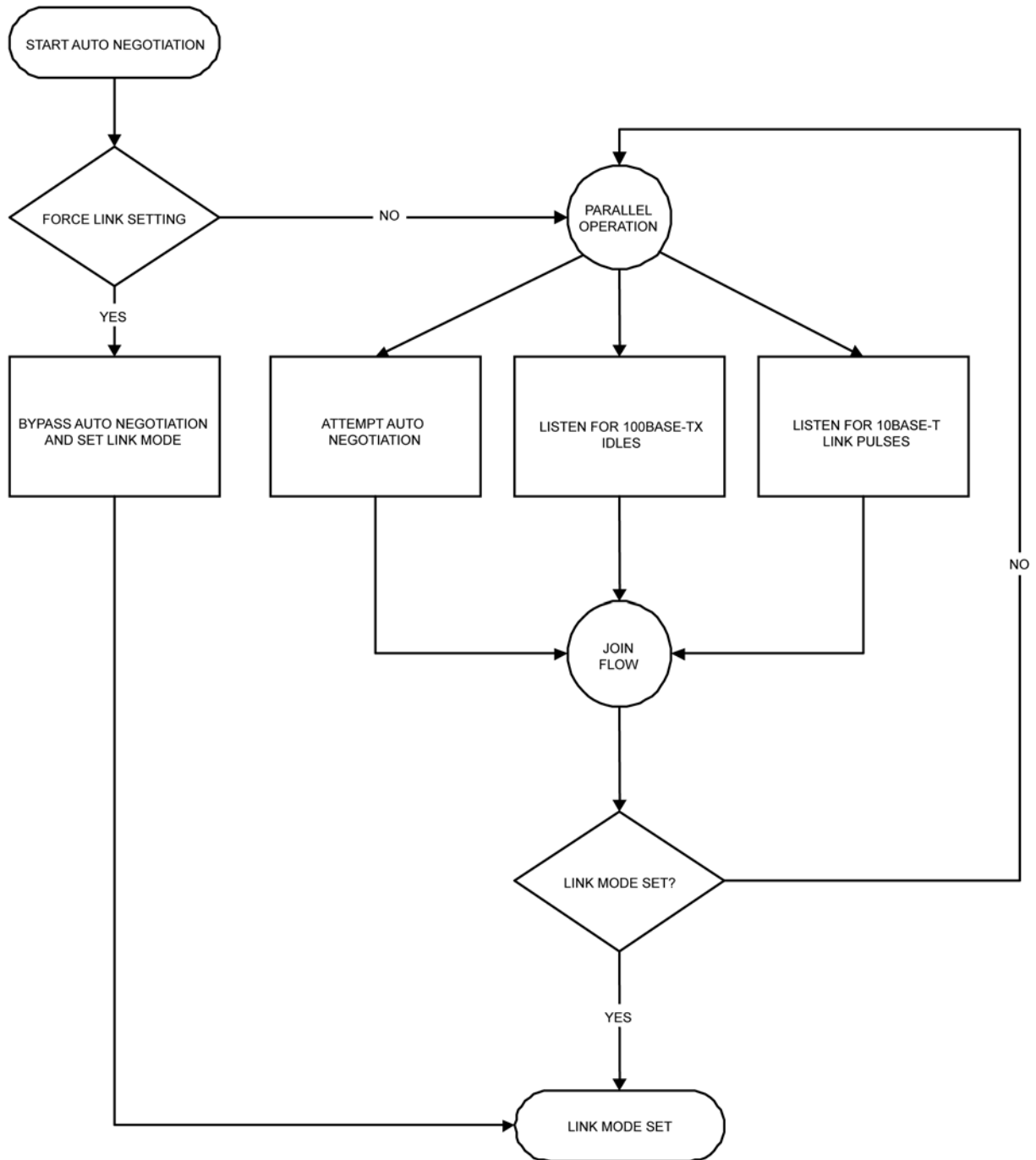


Figure 3. Auto-Negotiation

## On-Chip Termination Resistors

The KSZ8864RMN reduces board cost and simplifies board layout by using on-chip termination resistors for RX/TX differential pairs without the external termination resistors. The solution of the on chip termination and internal biasing will enhance much power consumption compare with using external biasing and termination resistors, and the transformer will not consume power any longer. The center tap doesn't need to be tied to analog power, just leave them floating or connect the capacitors to ground separately.

## Functional Overview: Power Management

The KSZ8864RMN can also use multiple power level of 3.3V, 2.5V, or 1.8V for VDDIO to support different I/O voltage.

The KSZ8864RMN supports enhanced power management feature in low power state with energy detection to ensure low-power dissipation during device idle periods. There are five operation modes under the power management function which is controlled by the Register 14 bit [4:3] and the Port Register Control 6 bit3 as shown below:

Register 14 bit [4:3] = 00 Normal Operation Mode

Register 14 bit [4:3] = 01 Energy Detect Mode

Register 14 bit [4:3] = 10 Soft Power Down Mode

Register 14 bit [4:3] = 11 Power Saving Mode

The Port Register Control 6 bit 3 =1 is for the Port Based Power-Down Mode

Table 2 indicates all internal function blocks status under four different power management operation modes.

KSZ8864RMN Function Blocks	Power Management Operation Modes			
	Normal Mode	Power Saving Mode	Energy Detect Mode	Soft Power Down Mode
Internal PLL Clock	Enabled	Enabled	Disabled	Disabled
Tx/Rx PHY	Enabled	<i>Rx unused block disabled</i>	Energy detect at Rx	Disabled
MAC	Enabled	Enabled	Disabled	Disabled
Host Interface	Enabled	Enabled	Disabled	Disabled

**Table 2. Internal Function Block Status**

### Normal Operation Mode

This is the default setting bit [4:3] =00 in register 14 after the chip power-up or hardware reset. When KSZ8864RMN is in this normal operation mode, all PLL clocks are running, PHY and MAC are on and the host interface is ready for CPU read or write.

During the normal operation mode, the host CPU can set the bit [4:3] in register 14 to transit the current normal operation mode to any one of the other three power management operation modes.

### Energy Detect Mode

The energy detect mode provides a mechanism to save more power than in the normal operation mode when the KSZ8864RMN is not connected to an active link partner. In this mode, if the cable is not plugged, then the KSZ8864RMN can automatically enter to a low power state, i.e., the energy detect mode. In this mode, KSZ8864RMN will keep transmitting 120ns width pulses at 1 pulse/s rate. Once activity resumes due to plugging a cable or attempting by the far end to establish link, the KSZ8864RMN can automatically power up to normal power state in energy detect mode.

Energy detect mode consists of two states, normal power state and low power state. While in low power state, the KSZ8864RMN reduces power consumption by disabling all circuitry except the energy detect circuitry of the receiver. The energy detect mode is entered by setting bit [4:3] = 01 in register 14. When the KSZ8864RMN is in this mode, it will monitor the cable energy. If there is no energy on the cable for a time longer than pre-configured value at bit [7:0] Go-Sleep time in register 15, then the KSZ8864RMN will go into a low power state. When KSZ8864RMN is in low power state, it will keep monitoring the cable energy. Once the energy is detected from the cable, KSZ8864RMN will enter normal power state. When KSZ8864RMN is at normal power state, it is able to transmit or receive packet from the cable.



## Soft Power-Down Mode

The soft power-down mode is entered by setting bit [4:3] = 10 in register 14. When KSZ8864RMN is in this mode, all PLL clocks are disabled, also all of PHYs and the MACs are off. Any dummy host access will wake-up this device from current soft power down mode to normal operation mode and internal reset will be issued to make all internal registers go to the default values.

## Power Saving Mode

The power saving mode is entered when auto-negotiation mode is enabled, cable is disconnected, and by setting bit [4:3] = 11 in register 14. When KSZ8864RMN is in this mode, all PLL clocks are enabled, MAC is on, all internal registers value will not change, and host interface is ready for CPU read or write. In this mode, it mainly controls the PHY transceiver on or off based on line status to achieve power saving. The PHY remains transmitting and only turns off the unused receiver block. Once activity resumes due to plugging a cable or attempting by the far end to establish link, the KSZ8864RMN can automatically enabled the PHY power up to normal power state from power saving mode.

During this power saving mode, the host CPU can set bit [4:3] in register 14 to transit the current power saving mode to any one of the other three power management operation modes.

## Port-Based Power-Down Mode

In addition, the KSZ8864RMN features a per-port power down mode. To save power, a PHY port that is not in use can be powered down by the port registers control 13 bit3, or MIIM PHY registers 0 bit11.

## Functional Overview: Switch Core

### Address Look-Up

The internal look-up table stores MAC addresses and their associated information. It contains a 1K unicast address table plus switching information. The KSZ8864RMN is guaranteed to learn 1K addresses and distinguishes itself from a hash-based look-up table which, depending upon the operating environment and probabilities, may not guarantee the absolute number of addresses it can learn.

### Learning

The internal look-up engine updates its table with a new entry if the following conditions are met:

- The received packet's source address (SA) does not exist in the look-up table.
- The received packet is good; the packet has no receiving errors and is of legal length.

The look-up engine inserts the qualified SA into the table, along with the port number and time stamp. If the table is full, the last entry of the table is deleted first to make room for the new entry.

### Migration

The internal look-up engine also monitors whether a station is moved. If this occurs, it updates the table accordingly. Migration happens when the following conditions are met:

- The received packet's SA is in the table but the associated source port information is different.
- The received packet is good; the packet has no receiving errors and is of legal length.

The look-up engine will update the existing record in the table with the new source port information.

### Aging

The look-up engine will update the time stamp information of a record whenever the corresponding SA appears. The time stamp is used in the aging process. If a record is not updated for a period of time, the look-up engine will remove the record from the table. The look-up engine constantly performs the aging process and will continuously remove aging records. The aging period is 300 ±75 seconds. This feature can be enabled or disabled through Register 3. See "Register 3" section.

## Forwarding

The KSZ8864RMN will forward packets using an algorithm that is depicted in the following flowcharts. Figure 6 shows stage one of the forwarding algorithm where the search engine looks up the VLAN ID, static table, and dynamic table for the destination address, and comes up with “port to forward 1” (PTF1). PTF1 is then further modified by the spanning tree, IGMP snooping, port mirroring, and port VLAN processes to come up with “port to forward 2” (PTF2), as shown in Figure 7. This is where the packet will be sent.

### ***KSZ8864RMN will not forward the following packets:***

- Error packets. These include framing errors, FCS errors, alignment errors, and illegal size packet errors.
- 802.3x pause frames. The KSZ8864RMN will intercept these packets and perform the appropriate actions.
- “Local” packets. Based on destination address (DA) look-up. If the destination port from the look-up table matches the port where the packet was from, the packet is defined as “local.”

## Switching Engine

The KSZ8864RMN features a high-performance switching engine to move data to and from the MAC's, packet buffers. It operates in store and forward mode, while the efficient switching mechanism reduces overall latency. The KSZ8864RMN has a 64kB internal frame buffer. This resource is shared between all five ports. There are a total of 512 buffers available. Each buffer is sized at 128B.

## Media Access Controller (MAC) Operation

The KSZ8864RMN strictly abides by IEEE 802.3 standards to maximize compatibility.

## Inter-Packet Gap (IPG)

If a frame is successfully transmitted, the 96-bit time IPG is measured between the two consecutive MTXEN. If the current packet is experiencing collision, the 96-bit time IPG is measured from MCRS and the next MTXEN.

## Backoff Algorithm

The KSZ8864RMN implements the IEEE 802.3 standard binary exponential backoff algorithm, and optional “aggressive mode” backoff. After 16 collisions, the packet will be optionally dropped depending on the chip configuration in Register 3. See “Register 3.”

## Late Collision

If a transmit packet experiences collisions after 512-bit times of the transmission, the packet will be dropped.

## Illegal Frames

The KSZ8864RMN discards frames less than 64 bytes and can be programmed to accept frames up to 1536 bytes in Register 4. For special applications, the KSZ8864RMN can also be programmed to accept frames up to 1916 bytes in Register 4. Since the KSZ8864RMN supports VLAN tags, the maximum sizing is adjusted when these tags are present.

## Flow Control

The KSZ8864RMN supports standard 802.3x flow control frames on both transmit and receive sides.

On the receive side, if the KSZ8864RMN receives a pause control frame, the KSZ8864RMN will not transmit the next normal frame until the timer, specified in the pause control frame, expires. If another pause frame is received before the current timer expires, the timer will be updated with the new value in the second pause frame. During this period (being flow controlled), only flow control packets from the KSZ8864RMN will be transmitted.

On the transmit side, the KSZ8864RMN has intelligent and efficient ways to determine when to invoke flow control. The flow control is based on availability of the system resources, including available buffers, available transmit queues and available receive queues.

The KSZ8864RMN flow controls a port that has just received a packet if the destination port resource is busy. The KSZ8864RMN issues a flow control frame (XOFF), containing the maximum pause time defined in IEEE standard 802.3x. Once the resource is freed up, the KSZ8864RMN sends out the other flow control frame (XON) with zero pause time to turn off the flow control (turn on transmission to the port). A hysteresis feature is also provided to prevent over-activation and deactivation of the flow control mechanism.

The KSZ8864RMN flow controls all ports if the receive queue becomes full.

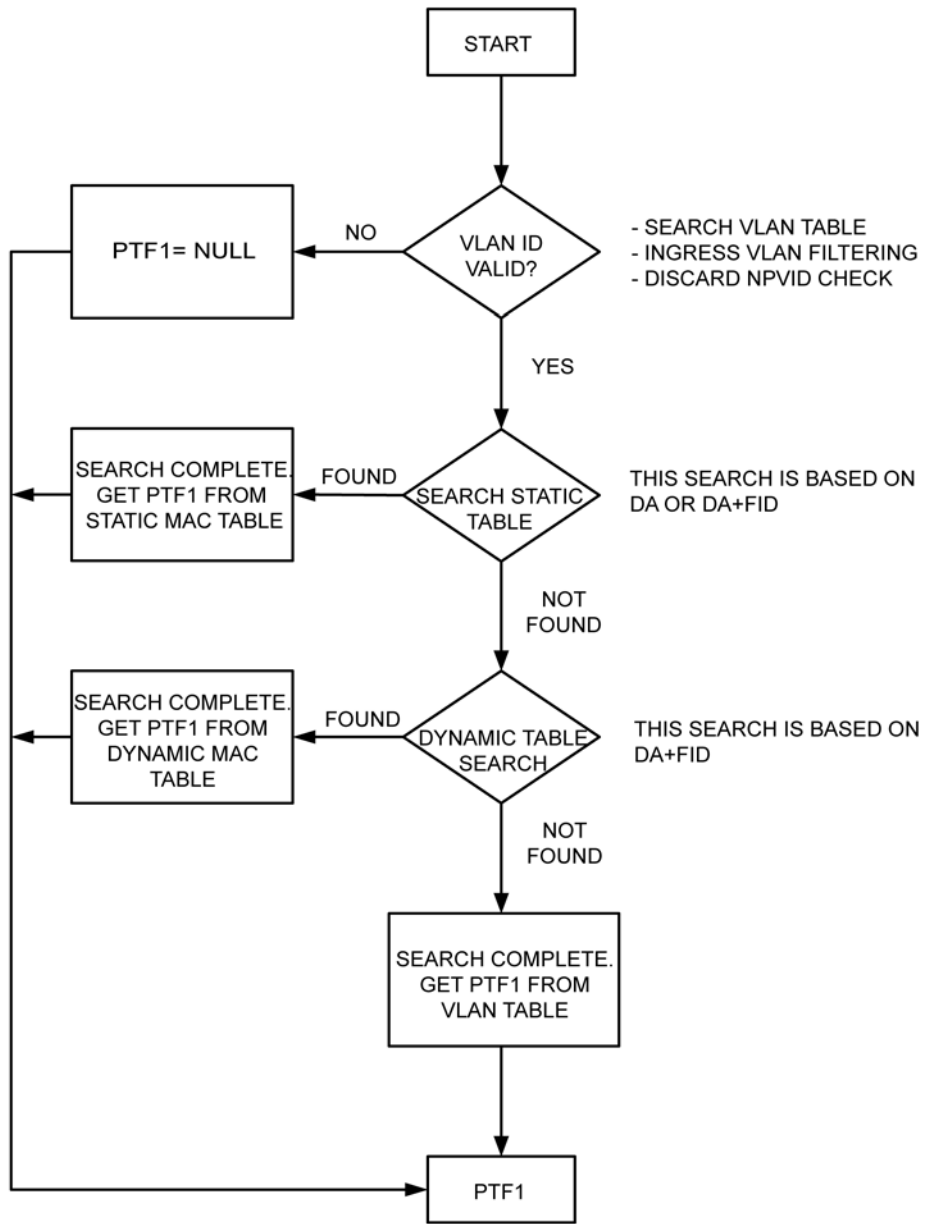


Figure 4. Destination Address Lookup Flow Chart – Stage 1

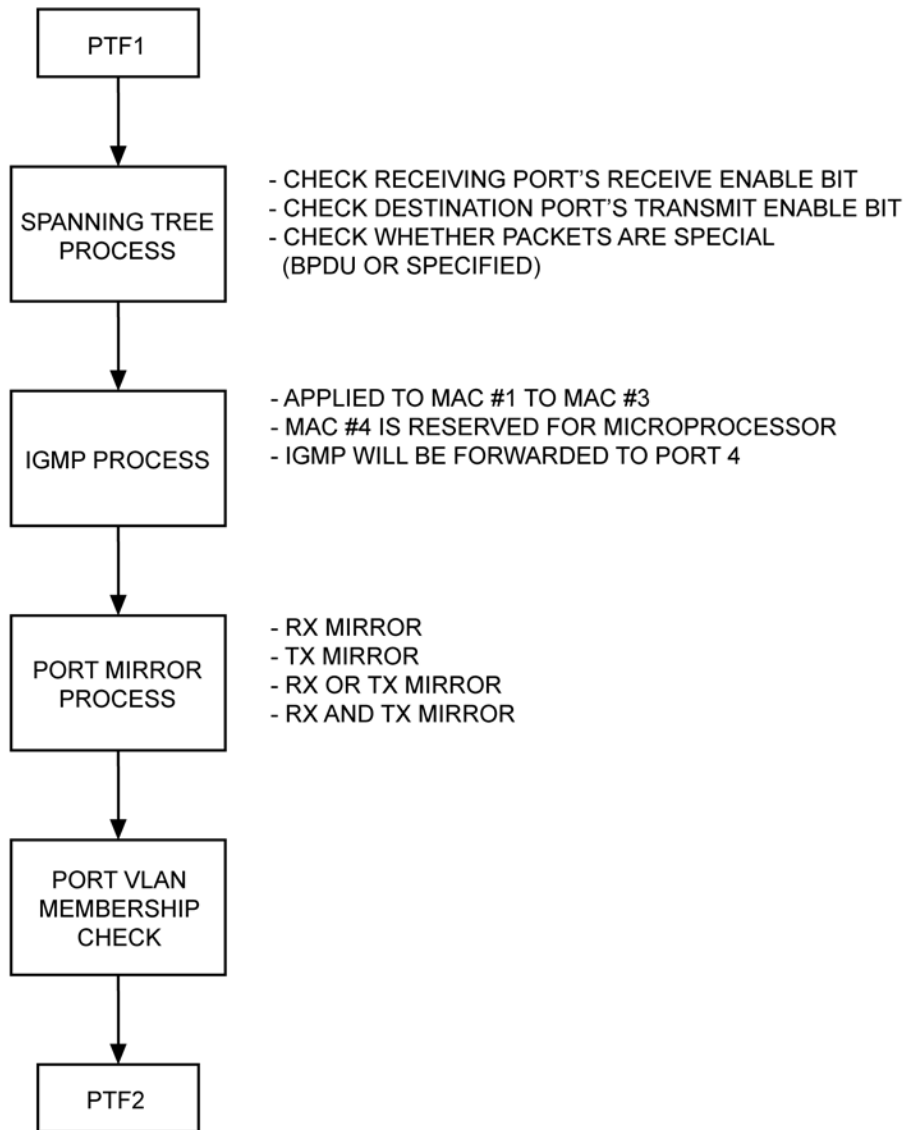


Figure 5. Destination Address Resolution Flow Chart – Stage 2

The KSZ8864RMN will not forward the following packets:

1. **Error Packets.**  
These include framing errors, Frame Check Sequence (FCS) errors, alignment errors, and illegal size packet errors.
2. **IEEE802.3x PAUSE Frames.**  
KSZ8864RMN intercepts these packets and performs full duplex flow control accordingly.
3. **"Local" Packets.**  
Based on destination address (DA) lookup, if the destination port from the lookup table matches the port from which the packet originated, the packet is defined as "local."

### Half-Duplex Back Pressure

The KSZ8864RMN also provides a half-duplex back pressure option (note: this is not listed in IEEE 802.3 standards). The activation and deactivation conditions are the same as the ones given for full-duplex mode. If back pressure is required, the KSZ8864RMN sends preambles to defer the other station's transmission (carrier sense deference). To avoid jabber and excessive deference as defined in IEEE 802.3 standard, after a certain period of time, the KSZ8864RMN discontinues carrier sense but raises it quickly after it drops packets to inhibit other transmissions. This short silent time (no carrier sense) is to prevent other stations from sending out packets and keeps other stations in a carrier sense deferred state. If the port has packets to send during a back pressure situation, the carrier-sense-type back pressure is interrupted and those packets are transmitted instead. If there are no more packets to send, carrier-sense-type back pressure becomes active again until switch resources are free. If a collision occurs, the binary exponential backoff algorithm is skipped and carrier sense is generated immediately, reducing the chance of further colliding and maintaining carrier sense to prevent reception of packets. To ensure no packet loss in 10BASE-T or 100BASE-TX half-duplex modes, the user must enable the following:

- Aggressive backoff (Register 3, bit 0)
- No excessive collision drop (Register 4, bit 3)
- Back pressure (Register 4, bit 5)

These bits are not set as the default because this is not the IEEE standard.

### Broadcast Storm Protection

The KSZ8864RMN has an intelligent option to protect the switch system from receiving too many broadcast packets. Broadcast packets are normally forwarded to all ports except the source port and thus use too many switch resources (bandwidth and available space in transmit queues). The KSZ8864RMN has the option to include "multicast packets" for storm control. The broadcast storm rate parameters are programmed globally and can be enabled or disabled on a per port basis. The rate is based on a 50ms (0.05s) interval for 100BT and a 500ms (0.5s) interval for 10BT. At the beginning of each interval, the counter is cleared to zero and the rate limit mechanism starts to count the number of bytes during the interval. The rate definition is described in Registers 6 and 7. The default setting for Registers 6 and 7 is 0x4A (74 decimal). This is equal to a rate of 1%, calculated as follows:

$$148,800 \text{ frames/sec} \times 50\text{ms} (0.05\text{s})/\text{interval} \times 1\% = 74 \text{ frames/interval (approx.)} = 0x4A.$$

### MII Interface Operation

The media independent interface (MII) is specified by the IEEE 802.3 committee and provides a common interface between physical layer and MAC layer devices. The KSZ8864RMN provides two MAC layer interfaces for MAC 3 and MAC 4. Each of these MII/RMII interfaces contains two distinct groups of signals, one for transmission and the other for receiving.

### Switch MAC3/MAC4 SW3/SW4-MII Interface

Table 3 shows two connection manners,

1. The first is an external MAC connects to SW3/SW4-MII PHY mode.
2. The second is an external PHY connects to SW3/SW4-MII MAC mode.

Please see the pins [47, 48] description for detail configuration for the MAC mode and PHY mode of the port 4 MAC4 SW4-MII, the default is SW4-MII with PHY mode. Please see the strap pin P2LED0 and the register 223 bit 6 for the MAC mode and PHY mode of the port 3 MAC3 SW3-MII, the default is SW3-MII with PHY mode also.

KSZ8864RMN PHY Mode Connection			Description	KSZ8864RMN MAC Mode Connection		
External MAC	KSZ8864RMN SW3/4-MII Signals	Type		External PHY	KSZ8864RMN SW3/4-MII Signals	Type
MTXEN	SMxTXEN	Input	Transmit enable	MTXEN	SMxRXDV	Output
MTXD3	SMxTXD[3]	Input	Transmit data bit 3	MTXD3	SMxRXD[3]	Output
MTXD2	SMxTXD[2]	Input	Transmit data bit 2	MTXD2	SMxRXD[2]	Output
MTXD1	SMxTXD[1]	Input	Transmit data bit 1	MTXD1	SMxRXD[1]	Output
MTXD0	SMxTXD[0]	Input	Transmit data bit 0	MTXD0	SMxRXD[0]	Output
MTXC	SMxTXC	Output	Transmit clock	MTXC	SMxRXC	Input
MCOL	SMxCOL	Output	Collision detection	MCOL	SMxCOL	Input
MCRS	SMxCRS	Output	Carrier sense	MCRS	SMxCRS	Input
MRXDV	SMxRXDV	Output	Receive data valid	MRXDV	SMxTXEN	Input
MRXD3	SMxRXD[3]	Output	Receive data bit 3	MRXD3	SMxTXD[3]	Input
MRXD2	SMxRXD[2]	Output	Receive data bit 2	MRXD2	SMxTXD[2]	Input
MRXD1	SMxRXD[1]	Output	Receive data bit 1	MRXD1	SMxTXD[1]	Input
MRXD0	SMxRXD[0]	Output	Receive data bit 0	MRXD0	SMxTXD[0]	Input
MRXC	SMxRXC	Output	Receive clock	MRXC	SMxTXC	Input

**Note:**

'x' is 3 or 4 for SW3 or SW4 in the table.

**Table 3. Switch MAC 3 SW3-MII and MAC 4 SW4-MII Signals**

The switch MII interface operates in either MAC mode or PHY mode for KSZ8864RMN. These interfaces are nibble-wide data interfaces and therefore run at one-quarter the network bit rate (not encoded). Additional signals on the transmit side indicate when data is valid or when an error occurs during transmission. Likewise, the receive side has indicators that convey when the data is valid and without physical layer errors. For half-duplex operation, there is a signal that indicates a collision has occurred during transmission.

Note that the signal MRXER is not provided on the SWx-MII interface and the signal MTXER is not provided on the SWx-MII interface for both PHY and MAC mode operation. Normally MRXER would indicate a receive error coming from the physical layer device. MTXER would indicate a transmit error from the MAC device. These signals are not appropriate for this configuration. For PHY mode operation, if the device interfacing with the KSZ8864RMN has an MRXER pin, it should be tied low. For MAC mode operation, if the device interfacing with the KSZ8864RMN has an MTXER pin, it should be tied low.

**Switch MAC3/MAC4 SW3/SW4-RMII Interface**

The Reduced Media Independent Interface (RMII) specifies a low pin count Media Independent Interface (MII). The KSZ8864RMN supports RMII interface at Port 3 and port 4 switch sides and provides a common interface at MAC3 and MAC4 layer in the device, and has the following key characteristics:

- Supports 10Mbps and 100Mbps data rates.
- Uses a single 50MHz clock reference (provided internally or externally): in internal mode, the chip provides reference clock from SMxRXC pin to SMxTXC/SMxREFCLK pin and the reference clock-in pin of the opposite RMII; in external mode, the chip receives 50MHz reference clock from an external oscillator or opposite RMII interface to SW4TXC/SM4REFCLK pin only.
- Provides independent 2-bit wide (bi-bit) transmit and receive data paths.

Table 4 shows two types of RMII connections of MAC to MAC and MAC to PHY,

- The first is an external MAC connects to SW3/4-RMII with 'PHY mode'.
- The second is an external PHY connects to SW3/4-RMII with 'MAC mode'.

When the strap pin P1LED0 is pulled down, the switch MAC4 is SW4-RMII mode after power up reset or warm reset. When the strap pin P2LED0 is pulled down, the switch MAC3 is SW3-RMII mode after power up reset or warm reset.

SW3/4-RMII MAC to MAC Connection ("PHY" Mode)			Description	SW3/4-RMII MAC to PHY Connection ("MAC" Mode)		
External MAC	KSZ8864RMN Signal	KSZ8864RMN SW Signal Type		External PHY	KSZ8864RMN Signal	KSZ8864RMN SW Signal Type
REF_CLK	SMxRXC	Output (Clock mode with 50MHz)	Reference Clock	-	SMxTXC /SMxREFCLK	Input (Clock comes from SMxRXC in clock mode or external 50MHz clock)
CRS_DV	SMxRXDV /SMxCRSDV	Output	Carrier Sense/Receive Data Valid	CRS_DV	SMxTXEN	Input
RXD1	SMxRXD[1]	Output	Receive Data Bit 1	RXD1	SMxTXD[1]	Input
RXD0	SMxRXD[0]	Output	Receive Data Bit 0	RXD0	SMxTXD[0]	Input
TX_EN	SMxTXEN	Input	Transmit Data Enable	TX_EN	SMxRXDV /SMxCRSDV	Output
TXD1	SMxTXD[1]	Input	Transmit Data Bit 1	TXD1	SMxRXD[1]	Output
TXD0	SMxTXD[0]	Input	Transmit Data Bit 0	TXD0	SMxRXD[0]	Output
(Not Used)	(Not Used)		Receive Error	(Not Used)	(not used)	
-	SMxTXC /SMxREFCLK	Input (Clock comes from SMxRXC in clock mode or external 50MHz clock)	Reference Clock	REF_CLK	SMxRXC	Output (Clock mode with 50MHz )

**Notes:**

- 'x' is 3 or 4 for SW3 or SW4 in the table.
- MAC/PHY mode in RMII is difference with MAC/PHY mode in MII, there is no strap pin and register configuration request in RMII, just follow the signals connection in the table.

**Table 4. MAC3 SW3-RMII and MAC4 SW4-RMII Connection**

KSZ8864RMN provides two RMII interfaces for MAC3 and MAC4:

- Switch MAC4 SW4-RMII interface can be used to provide 50MHz clock to opposite RMII from SM4RXC pin with loop back to SM4TXC pin. The SW4-RMII interface can be used to accept 50MHz from external 50MHz clock to SM4TXC when KSZ8864RMN is configured to normal mode by the strap pin P1LED1 pull-down. In the normal mode, the clock source of the KSZ8864RMN comes from the SM4TXC.
- Switch MAC3 SW3-RMII interface can be used to provide 50MHz clock to opposite RMII from SM3RXC pin with loop back to SM3TXC pin. The SW3-RMII interface can not be used to accept 50MHz from external to SM3TXC with the normal mode configuration.



The default of the device is clock mode because the P1LED1 is pulled up internally, the clock mode means the clock source comes from 25MHz crystal/oscillator on pins X1/X2, and the 50MHz clock will be output from the SMxRXC pin in RMII interface to be used, the 50MHz can be disabled by the register 87 bit 3 for SM4RXC if the RMII reference clock is not used. For the detail RMII connection samples, please refer to the application note in the design kit.

## Advanced Functionality

### QoS Priority Support

The KSZ8864RMN provides Quality of Service (QoS) for applications such as VoIP and video conferencing. The KSZ8864RMN offer 1/2/4 priority queues option per port by setting the port registers xxx control 9 bit1 and the port registers xxx control 0 bit0, the 1/2/4 queues split as follows:

[Port registers xxx control 9 bit1, control 0 bit0]=00 single output queue as default.

[Port registers xxx control 9 bit1, control 0 bit0]=01 egress port can be split into two priority transmit queues.

[Port registers xxx control 9 bit1, control 0 bit0]=10 egress port can be split into four priority transmit queues.

The four priority transmit queues is a new feature in the KSZ8864RMN. The queue 3 is the highest priority queue and Queue 0 is the lowest priority queue. The port registers xxx control 9 bit1 and the port registers xxx control 0 bit0 are used to enable split transmit queues for ports 1 and 2, respectively. If a port's transmit queue is not split, high priority and low priority packets have equal priority in the transmit queue.

There is an additional option to either always deliver high priority packets first or use programmable weighted fair queuing for the four priority queues scale by the port registers control 10, 11, 12 and 13 (default value are 8, 4, 2, 1 by their bit[6:0]).

Register 130 bit[7:6] Prio\_2Q[1:0] is used when the 2 Queue configuration is selected, these bits are used to map the 2-bit result of IEEE 802.1p from the registers 128, 129 or TOS/DiffServ mapping from registers 144-159 (for four Queues) into two queues mode with priority high or low.

Please see the descriptions of the register 130 bits [7:6] for details.

### **Port-Based Priority**

With port-based priority, each ingress port is individually classified as a priority 0-3 receiving port. All packets received at the priority 3 receiving port are marked as high priority and are sent to the high-priority transmit queue if the corresponding transmit queue is split. The Port Registers Control 0 Bits [4:3] is used to enable port-based priority for ports 1 and 2, respectively.

### **802.1p-Based Priority**

For 802.1p-based priority, the KSZ8864RMN examines the ingress (incoming) packets to determine whether they are tagged. If tagged, the 3-bit priority field in the VLAN tag is retrieved and compared against the priority mapping value, as specified by the registers 128 and 129, both register 128/129 can map 3-bit priority field of 0-7 value to 2-bit result of 0-3 priority levels. The priority mapping value is programmable.

Figure 6 illustrates how the 802.1p priority field is embedded in the 802.1Q VLAN tag.

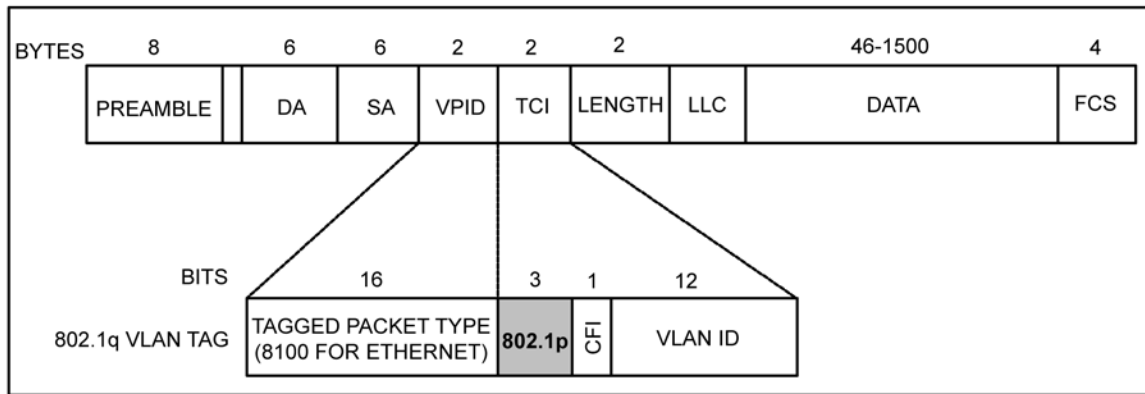


Figure 6. 802.1p Priority Field Format

802.1p-based priority is enabled by bit [5] of the port registers control 0 for Ports 1 and 2, respectively.

The KSZ8864RMN provides the option to insert or remove the priority tagged frame's header at each individual egress port. This header, consisting of the 2 bytes VLAN Protocol ID (VPID) and the 2-byte Tag Control Information field (TCI), is also referred to as the IEEE 802.1Q VLAN tag.

**Tag Insertion** is enabled by bit [2] of the port registers control 0 and the port register control 8 to select which source port (ingress port) PVID can be inserted on the egress port for Ports 1, 2, 3 and 4, respectively. At the egress port, untagged packets are tagged with the ingress port's default tag. The default tags are programmed in the port registers control 3 and control 4 for ports 1,2,3 and 4, respectively. The KSZ8864RMN will not add tags to already tagged packets.

**Tag Removal** is enabled by bit [1] of the port registers control 0 for Ports 1, 2, 3 and 4, respectively. At the egress port, tagged packets will have their 802.1Q VLAN Tags removed. The KSZ8864RMN will not modify untagged packets.

The CRC is recalculated for both tag insertion and tag removal.

**802.1p Priority Field Re-mapping** is a QoS feature that allows the KSZ8864RMN to set the User Priority Ceiling at any ingress port by the port register control 2 bit 7. If the ingress packet's priority field has a higher priority value than the default tag's priority field of the ingress port, the packet's priority field is replaced with the default tag's priority field.

#### DiffServ-Based Priority

DiffServ-based priority uses the ToS registers (registers 144 to 159) in the Advanced Control Registers section. The ToS priority control registers implement a fully decoded, 128-bit Differentiated Services Code Point (DSCP) register to determine packet priority from the 6-bit ToS field in the IP header. When the most significant 6 bits of the ToS field are fully decoded, the resultant of the 64 possibilities of DSCP decoded is compared with the corresponding bits in the DSCP register to determine priority.

#### Spanning Tree Support

Port 4 is the designated port for spanning tree support.

The other ports (Port 1 – Port 3) can be configured in one of the five spanning tree states via “transmit enable,” “receive enable,” and “learning disable” register settings in Registers 34, 50 for Ports 1, 2 and 3, respectively. The following description shows the port setting and software actions taken for each of the five spanning tree states.

*Disable state: the port should not forward or receive any packets. Learning is disabled.*

Port setting: "transmit enable = 0, receive enable = 0, learning disable = 1."

Software action: the processor should not send any packets to the port. The switch may still send specific packets to the processor (packets that match some entries in the static table with “overriding bit” set) and the processor should discard those packets. Note: processor is connected to Port 4 through MAC4 SW4-MII/RMII interface. Address learning is disabled on the port in this state.

*Blocking state: only packets to the processor are forwarded. Learning is disabled.*

Port setting: "transmit enable = 0, receive enable = 0, learning disable = 1"

Software action: the processor should not send any packets to the port(s) in this state. The processor should program the "Static MAC table" with the entries that it needs to receive (e.g., BPDU packets). The "overriding" bit should also be set so that the switch will forward those specific packets to the processor. Address learning is disabled on the port in this state.

*Listening state: only packets to and from the processor are forwarded. Learning is disabled.*

Port setting: "transmit enable = 0, receive enable = 0, learning disable = 1."

Software action: The processor should program the static MAC table with the entries that it needs to receive (e.g., BPDU packets). The "overriding" bit should be set so that the switch will forward those specific packets to the processor. The processor may send packets to the port(s) in this state, see the "Tail Tagging Mode" section for details. Address learning is disabled on the port in this state.

*Learning state: only packets to and from the processor are forwarded. Learning is enabled.*

Port setting: "transmit enable = 0, receive enable = 0, learning disable = 0."

Software action: The processor should program the static MAC table with the entries that it needs to receive (e.g., BPDU packets). The "overriding" bit should be set so that the switch will forward those specific packets to the processor. The processor may send packets to the port(s) in this state, see the "Tail Tagging Mode" section for details. Address learning is enabled on the port in this state.

*Forwarding state: packets are forwarded and received normally. Learning is enabled.*

Port setting: "transmit enable = 1, receive enable = 1, learning disable = 0."

Software action: The processor should program the static MAC table with the entries that it needs to receive (e.g., BPDU packets). The "overriding" bit should be set so that the switch will forward those specific packets to the processor. The processor may send packets to the port(s) in this state, see "Tail Tagging Mode" section for details. Address learning is enabled on the port in this state.

## Rapid Spanning Tree Support

There are three operational states of the Discarding, Learning, and Forwarding assigned to each port for RSTP:

Discarding ports Do not participate in the active topology and Do not learn MAC addresses.

*Discarding state: the state includes three states of the disable, blocking and listening of STP.*

Port setting: "transmit enable = 0, receive enable = 0, learning disable = 1."

Software action: the processor should not send any packets to the port. The switch may still send specific packets to the processor (packets that match some entries in the static table with "overriding bit" set) and the processor should discard those packets. When disable the port's learning capability (learning disable='1'), set the register 1 bit5 and bit4 will flush rapidly with the port related entries in the dynamic MAC table and static MAC table.

**Note:** processor is connected to Port 4 MAC 4 SW4-MII/RMII interface. Address learning is disabled on the port in this state.

Ports in Learning states learn MAC addresses, but Do not forward user traffic.

*Learning state: only packets to and from the processor are forwarded. Learning is enabled.*

Port setting: "transmit enable = 0, receive enable = 0, learning disable = 0."

Software action: The processor should program the static MAC table with the entries that it needs to receive (e.g., BPDU packets). The "overriding" bit should be set so that the switch will forward those specific packets to the processor. The processor may send packets to the port(s) in this state, see "Tail Tagging Mode" section for details. Address learning is enabled on the port in this state.

Ports in Forwarding states fully participate in both data forwarding and MAC learning.

*Forwarding state: packets are forwarded and received normally. Learning is enabled.*

Port setting: "transmit enable = 1, receive enable = 1, learning disable = 0."

Software action: The processor should program the static MAC table with the entries that it needs to receive (e.g., BPDU packets). The "overriding" bit should be set so that the switch will forward those specific packets to the processor. The processor may send packets to the port(s) in this state, see "Tail Tagging Mode" section for details. Address learning is enabled on the port in this state.

RSTP uses only one type of BPDU called RSTP BPDUs. They are similar to STP Configuration BPDUs with the exception of a type field set to “version 2” for RSTP and “version 0” for STP, and a flag field carrying additional information.

### Tail Tagging Mode

The Tail Tag is only seen and used by the Port 4 interface, which should be connected to a processor by MAC 4 SW4-MII/RMII interface. The one byte tail tagging is used to indicate the source/destination port in Port 4. Only bit [3–1] are used for the destination in the tail tagging byte. Bit 0 is not used. The Tail Tag feature is enabled by setting register 12 bit 1.

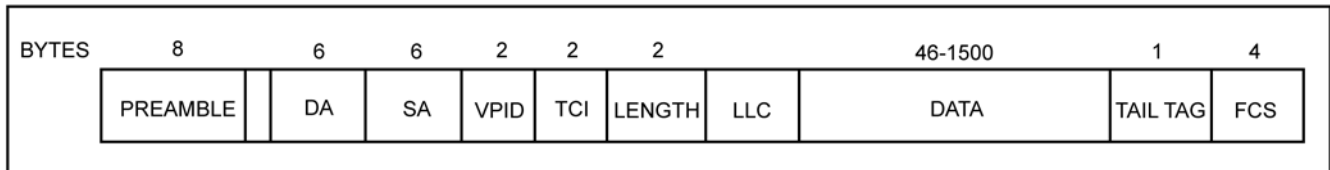


Figure 7. Tail-Tag Frame Format

<b>Ingress to Port 4 (Host → KSZ8864RMN)</b>	
Bit [3:1]	Destination
0,0,0	Reserved
0,0,1	Port 1 (direct forward to port1)
0,1,0	Port 2 (direct forward to port2)
1,0,0	Port 3 (direct forward to port3)
1,1,1	Port 1,2 and 3 (direct forward to port 1,2,3)
Bit [7:4]	
0,0,0,0	Queue 0 is used at destination port
0,0,0,1	Queue 1 is used at destination port
0,0,1,0	Queue 2 is used at destination port
0,0,1,1	Queue 3 is used at destination port
x, 1,x,x	Whatever send packets to specified port in bit[3:1]
1, x,x,x	Bit[6:0] will be ignored as normal(Address Look-up)
<b>Egress from Port 4 (KSZ8864RMN → Host )</b>	
Bit [1:0]	Source
0,0	Reserved
0,1	Port 1 (packets from port 1)
1,0	Port 2 (packets from port 2)
1,1	Port 3 (packets from port 3)

Table 5. Tail Tag Rules

## IGMP Support

There are two parts involved to support the Internet Group Management Protocol (IGMP) in Layer 2. The first part is IGMP snooping, the second part is this IGMP packet to be sent back to the subscribed port. Describe them as follows.

### IGMP Snooping

The KSZ8864RMN traps IGMP packets and forwards them only to the processor (Port 4 SW4-MII/RMII). The IGMP packets are identified as IP packets (either Ethernet IP packets, or IEEE 802.3 SNAP IP packets) with IP version = 0x4 and protocol version number = 0x2. Set register 5 bit [6] to '1' to enable IGMP snooping.

### IGMP Send Back to the Subscribed Port

Once the host responds the received IGMP packet, the host should know the original IGMP ingress port and send back the IGMP packet to this port only, otherwise this IGMP packet will be broadcasted to all port to downgrade the performance.

Enable the tail tag mode, the host will know the IGMP packet received port from tail tag bits [1:0] and can send back the response IGMP packet to this subscribed port by setting the bits [3:1] in the tail tag. Enable "Tail tag mode" by setting Register 12 bit 1.

## Port Mirroring Support

KSZ8864RMN supports "port mirror" comprehensively as:

### "Receive Only" Mirror on a Port

All the packets received on the port will be mirrored on the sniffer port. For example, Port 1 is programmed to be "rx sniff," and Port 2 is programmed to be the "sniffer port." A packet, received on Port 1, is destined to Port 3 after the internal look-up. The KSZ8864RMN will forward the packet to both Port 2 and Port 3. KSZ8864RMN can optionally forward even "bad" received packets to Port 3.

### "Transmit Only" Mirror on a Port

All the packets transmitted on the port will be mirrored on the sniffer port. For example, Port 1 is programmed to be "tx sniff," and Port 2 is programmed to be the "sniffer port." A packet, received on any of the ports, is destined to port 1 after the internal look-up. The KSZ8864RMN will forward the packet to both Ports 1 and 2.

### "Receive and Transmit" Mirror on a Port

All the packets received on port A AND transmitted on port B will be mirrored on the sniffer port. To turn on the "AND" feature, set Register 5 bit 0 to 1. For example, Port 1 is programmed to be "rx sniff and tx sniff," and Port 2 is programmed to be the "sniffer port." A packet, received and transmit on port 1. The KSZ8864RMN will monitor port 1 packets on Port 2.

Multiple ports can be selected to be "rx sniffed" or "tx sniffed." And any port can be selected to be the "sniffer port." All these per port features can be selected through Register 17.

## VLAN Support

KSZ8864RMN supports 128 active VLANs and 4096 possible VIDs specified in IEEE 802.1q. The KSZ8864RMN provides a 128-entry VLAN table, which correspond to 4096 possible VIDs and converts to FID (7 bits) for address look-up maximum of 128 active VLANs. If a non-tagged or null-VID-tagged packet is received, the ingress port VID is used for look-up when 802.1q is enabled by the global register 5 control 3 bit 7. In the VLAN mode, the look-up process starts from VLAN table look-up to determine whether the VID is valid. If the VID is not valid, the packet will be dropped and its address will not be learned. If the VID is valid, then FID is retrieved for further look-up by the static MAC table or dynamic MAC table. FID+DA is used to determine the destination port. The followed table describes the difference actions at different situations of DA and FID+DA in the static MAC table and dynamic MAC table after the VLAN table finish a look-up action. FID+SA is used for learning purposes. Table 6 also describes how to learning in the dynamic MAC table when VLAN table has done a look-up and the static MAC table without a valid entry.

DA Found in Static MAC Table	USE FID Flag?	FID Match?	DA+FID Found in Dynamic MAC Table	Action
No	Do not Care	Do not Care	No	Broadcast to the membership ports defined in the VLAN table bit [11:7].
No	Do not Care	Do not Care	Yes	Send to the destination port defined in the dynamic MAC table bit [58:56].
Yes	0	Do not Care	Do not Care	Send to the destination port(s) defined in the static MAC table bit [52:48].
Yes	1	No	No	Broadcast to the membership ports defined in the VLAN table bit [11:7].
Yes	1	No	Yes	Send to the destination port defined in the dynamic MAC table bit [58:56].
Yes	1	Yes	Do not Care	Send to the destination port(s) defined in the static MAC table bit [52:48].

**Table 6. FID+DA Look-Up in the VLAN Mode**

SA+FID Found in Dynamic MAC Table	Action
No	The SA+FID will be learned into the dynamic table.
Yes	Time stamp will be updated.

**Table 7. FID+SA Look-Up in the VLAN Mode**

Advanced VLAN features are also supported in KSZ8864RMN, such as “VLAN ingress filtering” and “discard non PVID” defined in bits [6:5] of the port Register Control 2. These features can be controlled on a port basis.

### Rate Limiting Support

The KSZ8864RMN provides a fine resolution hardware rate limiting. The rate step is 64Kbps when the rate limit is less than 1Mbps rate for 100BT or 10BT. The rate step is 1Mbps when the rate limit is more than 1Mbps rate for 100BT or 10BT (refer to Data Rate Selection Table which follow the end of the Port Register Queue 0–3 Ingress/Egress Limit Control section). The rate limit is independently on the “receive side” and on the “transmit side” on a per port basis. For 10BASE-T, a rate setting above 10 Mbps means the rate is not limited. On the receive side, the data receive rate for each priority at each port can be limited by setting up Ingress Rate Control Registers. On the transmit side, the data transmit rate for each priority queue at each port can be limited by setting up Egress Rate Control Registers. The size of each frame has options to include minimum inter frame gap (IFG) or preamble byte, in addition to the data field (from packet DA to FCS).

### Ingress Rate Limit

For ingress rate limiting, KSZ8864RMN provides options to selectively choose frames from all types, multicast, broadcast, and flooded unicast frames by bits [3–2] of the port rate limit control register. The KSZ8864RMN counts the data rate from those selected type of frames. Packets are dropped at the ingress port when the data rate exceeds the specified rate limit or when the flow control takes effect without packet dropped. This occurs when the ingress rate limit flow control is enabled by the port rate limit control register bit 4. The ingress rate limiting supports the port-based, 802.1p and DiffServ-based priorities, the port-based priority is fixed priority 0–3 selection by bits [4–3] of the port register control 0. The 802.1p and DiffServ-based priority can be mapped to priority 0–3 by default of the register 128 and 129. In the ingress rate limit, set register 135 global control 19 bit3 in order for the queue-based rate limit to be enabled if use two queues or four queues mode, all related ingress ports and egress port should be split into two or four queues mode by the port registers control 9 and control 0. The four queues mode will use Q0–Q3 for priority 0–3 by bit [6-0] of the port register ingress limit control 1–4. The two queues mode will use Q0–Q1 for priority 0–1 by bit [6–0] of the port register ingress limit control 1–2.

The priority levels in the packets of the 802.1p and DiffServ can be programmed to priority 0-3 by the register 128 and 129 for a re-mapping.

## Egress Rate Limit

For egress rate limiting, the Leaky Bucket algorithm is applied to each output priority queue for shaping output traffic. Inter frame gap is stretched on a per frame basis to generate smooth, non-burst egress traffic. The throughput of each output priority queue is limited by the egress rate specified by the data rate selection table followed the egress rate limit control registers.

If any egress queue receives more traffic than the specified egress rate throughput, packets may be accumulated in the output queue and packet memory. After the memory of the queue or the port is used up, packet dropping or flow control will be triggered. As a result of congestion, the actual egress rate may be dominated by flow control/dropping at the ingress end, and may be therefore slightly less than the specified egress rate. The egress rate limiting supports the port-based, 802.1p and DiffServ-based priorities, the port-based priority is fixed priority 0–3 selection by bits [4–3] of the port register control 0. The 802.1p and DiffServ-based priority can be mapped to priority 0–3 by default of the register 128 and 129. In the egress rate limit, set register 135 global control 19 bit3 for queue-based rate limit to be enabled if using two queues or four queues mode. All related ingress ports and egress port should be split into two or four queues mode by the port registers control 9 and control 0. The four queues mode will use Q0-Q3 for priority 0-3 by bit [6-0] of the port register egress limit control 1–4. The two queues mode will use Q0–Q1 for priority 0–1 by bit [6–0] of the port register egress limit control 1–2. The priority levels in the packets of the 802.1p and DiffServ can be programmed to priority 0–3 by the register 128 and 129 for a re-mapping.

With egress rate limit just use one queue per port for the egress port rate limit, the priority packets will be based on the data rate selection table with the rate limit exact number. If egress rate limit use more than one queue per port for the egress port rate limit, the highest priority packets will be based on the data rate selection table for the rate limit exact number and other lower priority packet rate will be limited based on 8:4:2:1 (default) priority ratio based on the highest priority rate. The transmit queue priority ratio is programmable.

To reduce congestion, it is a good practice to make sure the egress bandwidth exceeds the ingress bandwidth.

## Transmit Queue Ratio Programming

In transmit queues 0-3 of the egress port, the default priority ratio is 8:4:2:1, the priority ratio can be programmed by the port registers control 10, 11, 12 and 13. When the transmit rate exceed the ratio limit in the transmit queue, the transmit rate will be limited by the transmit queue 0-3 ratio of the port register control 10, 11, 12 and 13. The highest priority queue will be no limited, other lower priority queues will be limited based on the transmit queue ratio.

## Filtering for Self-Address, Unknown Unicast/Multicast Address and Unknown VID Packet/IP Multicast

Enable Self-address filtering, the unknown unicast packet filtering and forwarding by the Register 131 Global Control 15.  
Enable Unknown multicast packet filtering and forwarding by the Register 132 Global Control 16.

Enable Unknown VID packet filtering and forwarding by the Register 133 Global Control 17.

Enable Unknown IP multicast packet filtering and forwarding by the Register 134 Global Control 18.

This function is very useful in preventing those kinds of packets that could degrade the quality of the port in applications such as voice over Internet Protocol (VoIP) and the daisy chain connection to prevent packets into endless loop.

## Configuration Interface

### *PC Master Serial Bus Configuration*

If a 2-wire EEPROM exists, the KSZ8864RMN can perform more advanced features like broadcast storm protection and rate control. The EEPROM should have the entire valid configuration data from Register 0 to Register 255 defined in the "Memory Map," except the status registers and indirect registers. After reset, the KSZ8864RMN will start to read all control registers sequentially from the EEPROM. The configuration access time ( $t_{\text{prgm}}$ ) is less than 30ms, as shown in Figure 8.

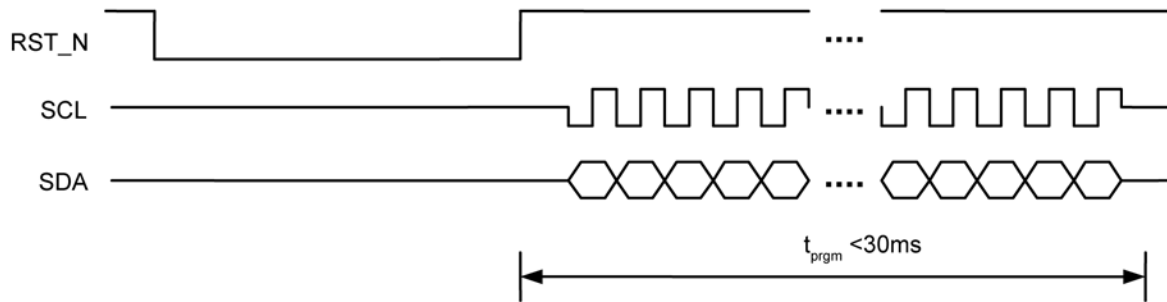


Figure 8. KSZ8864RMN EEPROM Configuration Timing Diagram

To configure the KSZ8864RMN with a pre-configured EEPROM use the following steps:

1. At the board level, connect pin 56 on the KSZ8864RMN to the SCL pin on the EEPROM. Connect pin 57 on the KSZ8864RMN to the SDA pin on the EEPROM.
2. A[2-0] address pins of EEPROM should be tied to ground for A[2-0] = '000' to be identified by the KSZ8895MQ/RQ/FMQ.
3. Set the input signals PS[1:0] (pins 59 and 60, respectively) to "00." This puts the KSZ8864RMN serial bus configuration into I<sup>2</sup>C master mode.
4. Be sure the board-level reset signal is connected to the KSZ8864RMN reset signal on pin 61 (RST\_N).
5. Program the contents of the EEPROM before placing it on the board with the desired configuration data. Note that the first byte in the EEPROM must be "95" and the register1 chip ID bit[7-4] = 0 for the loading to occur properly. If this value is not correct, all other data will be ignored.
6. Place EEPROM on the board and power up the board. Assert the active-low board level reset to RST\_N on the KSZ8864RMN. After the reset is de-asserted, the KSZ8864RMN will begin reading configuration data from the EEPROM. The configuration access time ( $t_{prgm}$ ) is less than 30ms.

### SPI Slave Serial Bus Configuration

The KSZ8864RMN can also act as an SPI slave device. Through the SPI, the entire feature set can be enabled, including "VLAN," "IGMP snooping," "MIB counters," etc. The external master device can access any register from Register 0 to Register 255 randomly. The system should configure all the desired settings before enabling the switch in the KSZ8864RMN. To enable the switch, write a "1" to Register 1 bit 0.

Two standard SPI commands are supported (00000011 for "READ DATA," and 00000010 for "WRITE DATA"). To speed configuration time, the KSZ8864RMN also supports multiple reads or writes. After a byte is written to or read from the KSZ8864RMN, the internal address counter automatically increments if the SPI Slave Select Signal (SPIS\_N) continues to be driven low. If SPIS\_N is kept low after the first byte is read, the next byte at the next address will be shifted out on SPIQ. If SPIS\_N is kept low after the first byte is written, bits on the Master Out Slave Input (SPID) line will be written to the next address. Asserting SPIS\_N high terminates a read or write operation. This means that the SPIS\_N signal must be asserted high and then low again before issuing another command and address. The address counter wraps back to zero once it reaches the highest address. Therefore the entire register set can be written to or read from by issuing a single command and address.

The default SPI clock speed is 12.5MHz. The KSZ8864RMN is able to support a SPI bus up to 25MHz (set register 12 bit [5:4]=0x10). A high performance SPI master is recommended to prevent internal counter overflow.



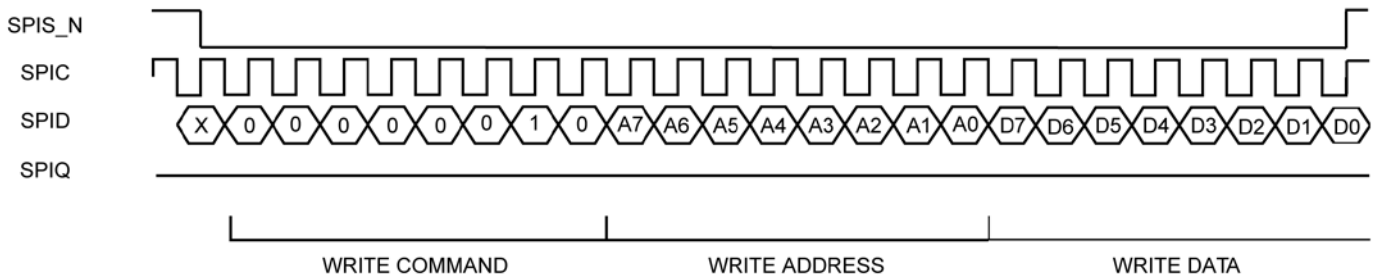
To use the KSZ8864RMN SPI:

1. At the board level, connect KSZ8864RMN pins as follows:

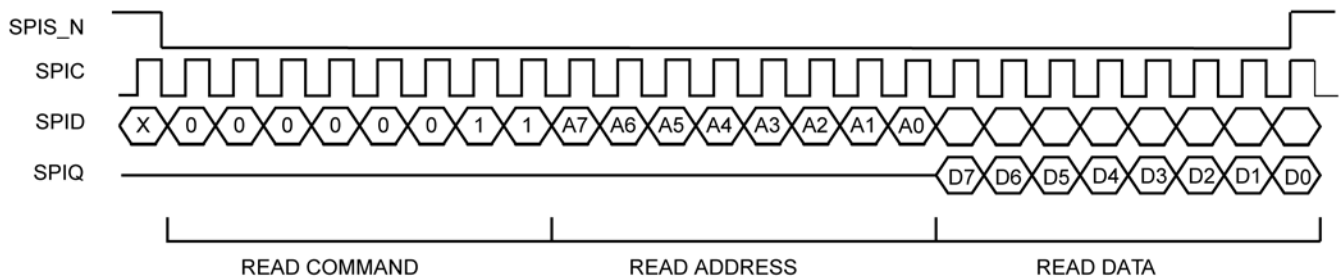
KSZ8864RMN Pin Number	KSZ8864RMN Signal Name	Microprocessor Signal Description
58	SPIS_N	SPI Slave Select
56	SCL	SPI Clock
57	SPID/SDA	Master Out Slave Input
55	SPIQ	Master In Slave Output

**Table 8. SPI Connections**

2. Set the input signals PS[1:0] (pins 59 and 60, respectively) to “10” to set the serial configuration to SPI slave mode.
3. Power up the board and assert a reset signal. After reset wait 100µs, the start switch bit in Register 1 will be set to ‘0’. Configure the desired settings in the KSZ8864RMN before setting the start register to ‘1.’
4. Write configuration to registers using a typical SPI write data cycle as shown in Figure 9 or SPI multiple write as shown in Figure 11. Note that data input on SPID is registered on the rising edge of SPIC.
5. Registers can be read and configuration can be verified with a typical SPI read data cycle as shown in Figure 10 or a multiple read as shown in Figure 12. Note that read data is registered out of SPIQ on the falling edge of SPIC.
6. After configuration is written and verified, write a ‘1’ to Register 1 bit 0 to begin KSZ8864RMN switch operation.



**Figure 9. SPI Write Data Cycle**



**Figure 10. SPI Read Data Cycle**

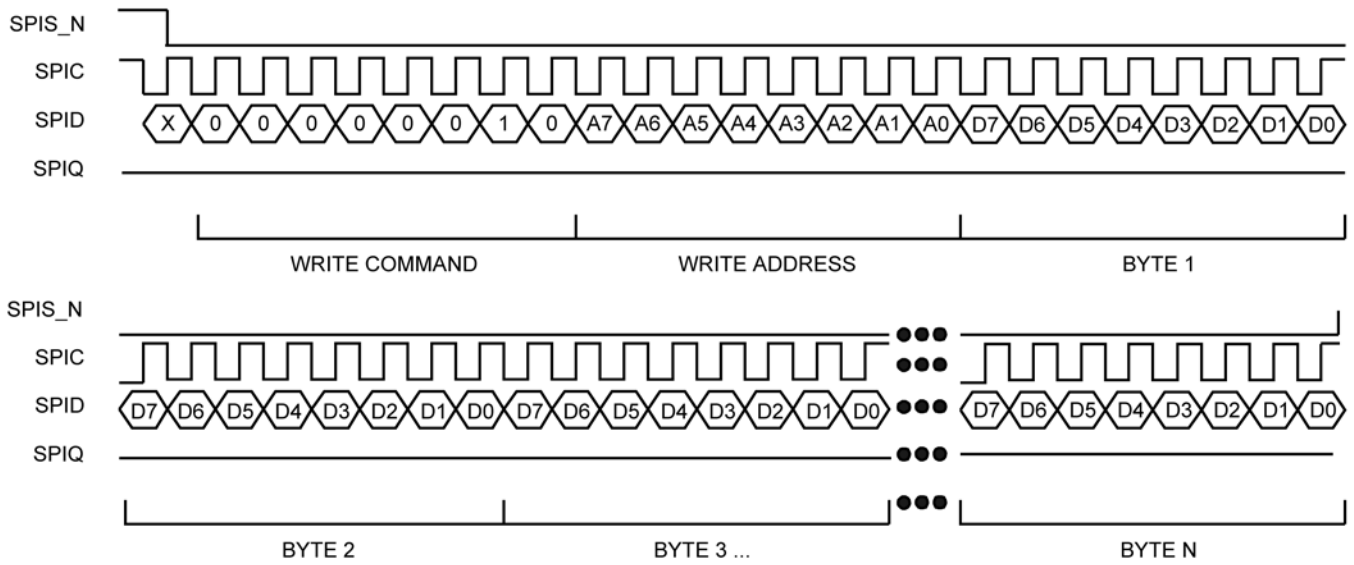


Figure 11. SPI Multiple Write

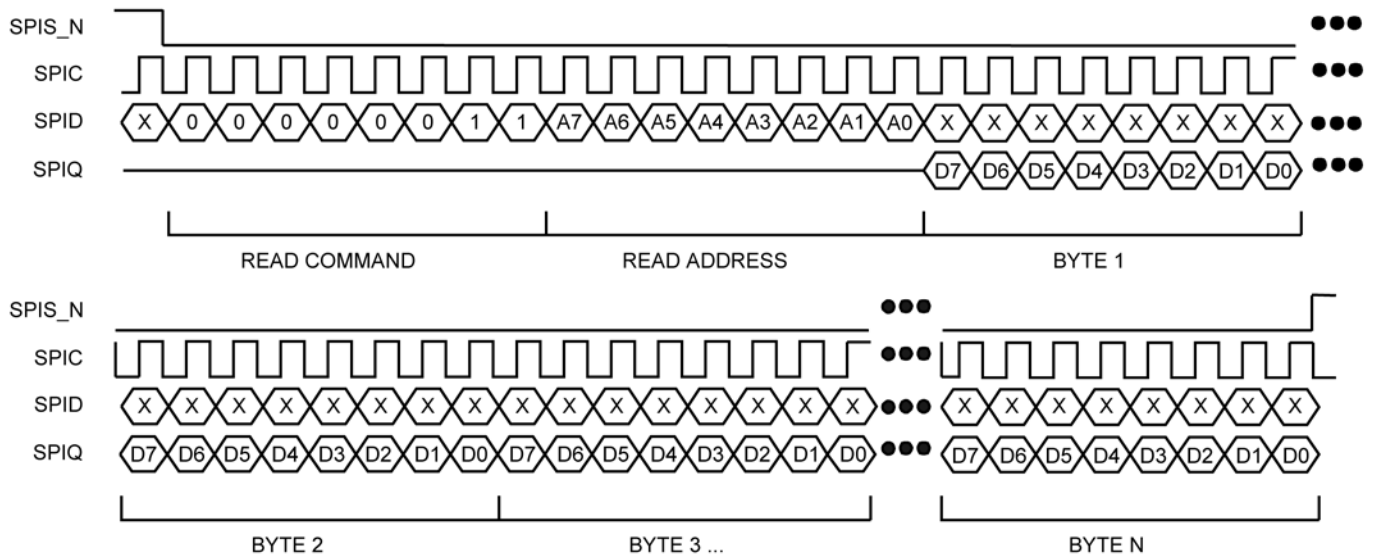


Figure 12. SPI Multiple Read

## MII Management Interface (MIIM)

The KSZ8864RMN supports the standard IEEE 802.3 MII Management Interface, also known as the Management Data Input/Output (MDIO) Interface. This interface allows upper-layer devices to monitor and control the states of the KSZ8864RMN. An external device with MDC/MDIO capability is used to read the PHY status or configure the PHY settings. Further detail on the MIIM interface is found in Clause 22.2.4.5 of the IEEE 802.3u Specification.

The MIIM interface consists of the following:

- A physical connection that incorporates the data line (pin 54 MDIO) and the clock line (pin 53 MDC).
- A specific protocol that operates across the aforementioned physical connection that allows an external controller to communicate with the KSZ8864RMN device.
- Access to a set of eight 16-bit registers, consisting of 8 standard MIIM registers [0:5h], 1d and 1f MIIM registers per port.

The MIIM Interface can operate up to a maximum clock speed of 10MHz MDC clock.

Table 9 depicts the MII Management Interface frame format.

	Preamble	Start of Frame	Read/Write OP Code	PHY Address Bits [4:0]	REG Address Bits [4:0]	TA	Data Bits [15:0]	Idle
Read	32 1's	01	10	AAAAA	RRRRR	Z0	DDDDDDDD_DDDDDDDD	Z
Write	32 1's	01	01	AAAAA	RRRRR	10	DDDDDDDD_DDDDDDDD	Z

**Table 9. MII Management Interface Frame Format**

The MIIM interface does not have access to all the configuration registers in the KSZ8864RMN. It can only access the standard MIIM registers. See "MIIM Registers". The SPI interface and MDC/MDIO SMI mode, on the other hand, can be used to access the entire KSZ8864RMN feature set.

## Serial Management Interface (SMI)

The SMI is the KSZ8864RMN non-standard MIIM interface that provides access to all KSZ8864RMN configuration registers. This interface allows an external device with MDC/MDIO interface to completely monitor and control the states of the KSZ8864RMN.

The SMI interface consists of the following:

A physical connection that incorporates the data line (MDIO) and the clock line (MDC).

A specific protocol that operates across the aforementioned physical connection that allows an external controller to communicate with the KSZ8864RMN device.

Access all KSZ8864RMN configuration registers. Register access includes the Global, Port and Advanced Control Registers 0-255 (0x00 – 0xFF), and indirect access to the standard MIIM registers [0:5] and custom MIIM registers [29, 31].

The SMI Interface can operate up to a maximum clock speed of 10MHz MDC clock.

Table 10 depicts the SMI frame format.

	Preamble	Start of Frame	Read/Write OP Code	PHY Address Bits [4:0]	REG Address Bits [4:0]	TA	Data Bits [15:0]	Idle
Read	32 1's	01	10	RR11R	RRRRR	Z0	0000_0000_DDDD_DDDD	Z
Write	32 1's	01	01	RR11R	RRRRR	10	xxxx_xxxx_DDDD_DDDD	Z

**Table 10. Serial Management Interface (SMI) Frame Format**

SMI register Read access is selected when OP Code is set to “10” and bits [2:1] of the PHY address is set to ‘11’. The 8-bit register address is the concatenation of {PHY address bits [4:3], PHY address bits [0], REG address bit [4:0]}. TA is turn-around bits. TA bits [1:0] are ‘Z0’ means the processor MDIO pin is changed to input Hi-Z from output mode and the followed ‘0’ is the read response from device, as the switch configuration registers are 8-bit wide, only the lower 8 bits of data bits [15:0] are used

SMI register Write access is selected when OP Code is set to “01” and bits [2:1] of the PHY address is set to ‘11’. The 8-bit register address is the concatenation of {PHY address bits [4:3], PHY address bits [0], REG address bit [4:0]}. TA bits [1:0] are set to ‘10’, as the switch configuration registers are 8-bit wide, only the lower 8 bits of data bits [15:0] are used.

To access the KSZ8864RMN registers 0-255 (0x00 – 0xFF), the following applies:

PHYAD [4, 3, 0] and REGAD [4:0] are concatenated to form the 8-bit address; that is, {PHYAD [4,3,0], REGAD[4:0]} = bits [7:0] of the 8-bit address.

Registers are eight data bits wide. For read operation, data bits [15:8] are read back as 0’s. For write operation, data bits [15:8] are not defined, and hence can be set to either 0s or 1s.

SMI register access is the same as the MIIM register access, except for the register access requirements presented in this section.

## Register Description

Offset		Description
Decimal	Hex	
0 – 1	0x00-0x01	Chip ID Registers
2 – 13	0x02-0x0D	Global Control Registers
14 – 15	0x0E-0x0F	Power Down Management Control Registers
16 – 20	0x10-0x14	Reserved
21 – 23	0x15-0x17	Reserved (Factory Test Registers)
24 – 31	0x18-0x1F	Reserved
32 – 36	0x20-0x24	Port 1 Control Registers
37 – 39	0x25-0x27	Port 1 Reserved (Factory Test Registers)
40 – 47	0x28-0x2F	Port 1 Control/Status Registers
48 – 52	0x30-0x34	Port 2 Control Registers
53 – 55	0x35-0x37	Port 2 Reserved (Factory Test Registers)
56 – 63	0x38-0x3F	Port 2 Control/Status Registers
64 – 68	0x40-0x44	Reserved
69 – 71	0x45-0x47	Reserved (Factory Test Registers)
72 – 79	0x48-0x4F	Reserved
80 – 84	0x50-0x54	Reserved
85 – 87	0x55-0x57	Reserved (Factory Test Registers)
88 – 95	0x58-0x5F	Reserved
96 – 103	0x60-0x67	Reserved (Factory Testing Registers)
104 – 109	0x68-0x6D	MAC Address Registers
110 – 111	0x6E-0x6F	Indirect Access Control Registers
112 – 120	0x70-0x78	Indirect Data Registers
121 – 123	0x79-0x7B	Reserved (Factory Testing Registers)
124 – 125	0x7C-0x7D	Port Interrupt Registers
126 – 127	0x7E-0x7F	Reserved (Factory Testing Registers)
128 – 135	0x80-0x87	Global Control Registers
136	0x88	Switch Self Test Control Register
137 – 143	0x89-0x8F	QM Global Control Registers
144 – 145	0x90-0x91	TOS Priority Control Registers
146 – 159	0x92-0x9F	TOS Priority Control Registers
160 – 175	0xA0-0xAF	Reserved (Factory Testing Registers)
176 – 190	0xB0-0xBE	Reserved

**Register Description (Continued)**

Offset		Description
Decimal	Decimal	
191	0xBF	Reserved (Factory Testing Register)
192 – 206	0xC0-0xCE	Port 1 Control Registers
207	0xCF	Testing and port 3 Control Register 1
208 – 222	0xD0-0xDE	Port 2 Control Registers
223	0xDF	Testing and port 3 Control Register 2
224 – 238	0xE0-0xEE	Port 3 Control Registers
239	0xEF	Reserved (Factory Testing Register)
240 – 254	0xF0-0xFE	Port 4 Control Registers
255	0xFF	Testing and port 4 Control Register

**Global Registers**

Address	Name	Description	Mode	Default
<b>Register 0 (0x00): Chip ID0</b>				
7 – 0	family ID	Chip family.	RO	0x95
<b>Register 1 (0x01): Revision ID / Start Switch</b>				
7 – 4	Reserved	Reserved (Chip ID to see register 254 bit7) Note: Port4 RMII mode will be 0110.	RO	0100
3 – 1	Revision ID	Revision ID	RO	0x0
0	Start Switch	<p>1, start the chip when external pins (PS1, PS0) = (1,0) Note: in (PS1,PS0) = (0,0) mode, the chip will start automatically, after trying to read the external EEPROM. If EEPROM does not exist, the chip will use default values for all internal registers. If EEPROM is present, the contents in the EEPROM will be checked.</p> <p>The switch will check: (1) Register 0 = 0x95. (2) Register 1 [7:4] = Available chip ID.</p> <p>If this check is OK, the contents in the EEPROM will override chip register default values =0, chip will not start when external pins (PS1, PS0) = (1,0) or (0,1). <i>Note: (PS1, PS0) = (1,1) for Factory test only.</i></p> <p>0, stop the switch function of the chip</p>	R/W	0

**Register Description (Continued)**

Address	Name	Description	Mode	Default
<b>Register 2 (0x02): Global Control 0</b>				
7	New Back-off Enable	New Back-off algorithm designed for UNH 1 = Enable 0 = Disable	R/W	0
6	Reserved	Reserved.	RO	0
5	Flush dynamic MAC table	Flush the entire dynamic MAC table for RSTP 1 = Trigger the flush dynamic MAC table operation. This bit is self clear 0 = normal operation Note: All the entries associated with a port that has its learning capability being turned off (Learning Disable) will be flushed. If you want to flush the entire Table, all ports learning capability must be turned off.	R/W (SC)	0
4	Flush static MAC table	Flush the matched entries in static MAC table for RSTP 1 = Trigger the flush static MAC table operation. This bit is self clear 0 = normal operation Note: The matched entry is defined as the entry whose Forwarding Ports field contains a single port and MAC address with unicast. This port, in turn, has its learning capability being turned off (Learning Disable). Per port, multiple entries can be qualified as matched entries.	R/W (SC)	0
3	Reserved	N/A Do not change.	RO	1
2	Reserved	N/A Do not change.	RO	1
1	UNH Mode	1, the switch will drop packets with 0x8808 in T/L filed, or DA=01-80-C2-00-00-01. 0, the switch will drop packets qualified as "flow control" packets.	R/W	0
0	Link Change Age	1, link change from "link" to "no link" will cause fast aging (<800 $\mu$ s) to age address table faster. After an age cycle is complete, the age logic will return to normal (300 +/- 75 seconds ). <i>Note: If any port is unplugged, all addresses will be automatically aged out.</i>	R/W	0
<b>Register 3 (0x03): Global Control 1</b>				
7	Pass All Frames	1, switch all packets including bad ones. Used solely for debugging purpose. Works in conjunction with sniffer mode.	R/W	0
6	2K Byte packet support	1 = enable support 2K Byte packet 0 = disable support 2K Byte packet	R/W	0

## Register Description (Continued)

Address	Name	Description	Mode	Default
<b>Register 3 (0x03): Global Control 1</b>				
7	Pass All Frames	1, switch all packets including bad ones. Used solely for debugging purpose. Works in conjunction with sniffer mode.	R/W	0
6	2K Byte packet support	1 = enable support 2K Byte packet 0 = disable support 2K Byte packet	R/W	0
5	IEEE 802.3x Transmit Flow Control Disable	0, will enable transmit flow control based on AN result. 1, will not enable transmit flow control regardless of AN result.	R/W	0 Pin SM3RXD3 strap option. PD(0): Enable Tx flow control (default). PU(1): Disable Tx/Rx flow control. <i>Note: SM3RXD3 has internal pull-down.</i>
4	IEEE 802.3x Receive Flow Control Disable	0, will enable receive flow control based on AN result. 1, will not enable receive flow control regardless of AN result. <i>Note: Bit 5 and bit 4 default values are controlled by the same pin, but they can be programmed independently.</i>	R/W	0 Pin SM3RXD3 strap option. PD(0): Enable Rx flow control (default). PU(1): Disable Tx/Rx flow control. <i>Note: SM3RXD3 has internal pull-down.</i>
3	Frame Length Field Check	1, will check frame length field in the IEEE packets If the actual length does not match, the packet will be dropped (for L/T <1500) .	R/W	0
2	Aging Enable	1, Enable age function in the chip. 0, Disable aging function.	R/W	1
1	Fast Age Enable	1 = Turn on fast age (800µs).	R/W	0
0	Aggressive Back Off Enable	1 = Enable more aggressive back-off algorithm in half duplex mode to enhance performance. This is not an IEEE standard.	R/W	0 Pin SM3RXD0 strap option. PD(0): Disable aggressive back off (default). PU(1): Aggressive back off. <i>Note: SM3RXD0 has internal pull down.</i>



**Register Description (Continued)**

Address	Name	Description	Mode	Default
<b>Register 4 (0x04): Global Control 2</b>				
7	Unicast Port-VLAN Mismatch Discard	This feature is used for port VLAN (described in Register 17, Register 33). 1, all packets can not cross VLAN boundary. 0, unicast packets (excluding unknown/multicast/broadcast) can cross VLAN boundary.	R/W	1
6	Multicast Storm Protection Disable	1, "Broadcast Storm Protection" does not include multicast packets. Only DA=FFFFFFFFFFFFFF packets will be regulated. 0, "Broadcast Storm Protection" includes DA = FFFFFFFFFFFFFFFF and DA[40] = 1 packets.	R/W	1
5	Back Pressure Mode	1, carrier sense based backpressure is selected. 0, collision based backpressure is selected.	R/W	1
4	Flow Control and Back Pressure fair Mode	1, fair mode is selected. In this mode, if a flow control port and a non-flow control port talk to the same destination port, packets from the non-flow control port may be dropped. This is to prevent the flow control port from being flow controlled for an extended period of time. 0, in this mode, if a flow control port and a non-flow control port talk to the same destination port, the flow control port will be flow controlled. This may not be "fair" to the flow control port.	R/W	1
3	No Excessive Collision Drop	1, the switch will not drop packets when 16 or more collisions occur. 0, the switch will drop packets when 16 or more collisions occur.	R/W	0 Pin SM3RXD1 strap option. PD(0): (default ) Drop excessive collision packets. PU(1): Do not drop excessive collision packets. <i>Note: SM3RXD1 has internal pull down.</i>
2	Huge Packet Support	1, will accept packet sizes up to 1916 bytes (inclusive). This bit setting will override setting from bit 1 of the same register. 0, the max packet size will be determined by bit 1 of this register.	R/W	0
1	Legal Maximum Packet Size Check Disable	1, will accept packet sizes up to 1536 bytes (inclusive). 0, 1522 bytes for tagged packets (not including packets with STPID from CPU to ports 1-4), 1518 bytes for untagged packets. Any packets larger than the specified value will be dropped.	R/W	0
0	Reserved	N/A	RO	0

**Register Description (Continued)**

Address	Name	Description	Mode	Default
<b>Register 5 (0x05): Global Control 3</b>				
7	802.1q VLAN Enable	1, 802.1q VLAN mode is turned on. VLAN table needs to set up before the operation. 0, 802.1q VLAN is disabled.	R/W	0
6	IGMP Snoop Enable on Switch SW4-MII Interface	1, IGMP snoop enabled. All the IGMP packets will be forwarded to Switch MII port. 0, IGMP snoop disabled.	R/W	0
5	Enable Direct Mode on Switch SW4-MII Interface	1, direct mode on Port 4. This is a special mode for the Switch MII interface. Using preamble before MRXDV to direct switch to forward packets, bypassing internal look-up. 0, normal operation.	R/W	0
4	Enable Pre-Tag on Switch SW4-MII Interface	1, packets forwarded to Switch MII interface will be pre-tagged with the source port number (preamble before MRXDV). 0, normal operation.	R/W	0
3 – 2	Reserved	N/A	RO	00
1	Enable "Tag" Mask	1, the last 5 digits in the VID field are used as a mask to determine which port(s) the packet should be forwarded to. 0, no tag masks.  Note: you need to turn off the 802.1q VLAN mode (reg0x5, bit 7 = 0) for this bit to work.	R/W	0
0	Sniff Mode Select	1, will do Rx AND Tx sniff (both source port and destination port need to match). 0, will do Rx OR Tx sniff (Either source port or destination port needs to match).  This is the mode used to implement Rx only sniff.	R/W	0

**Register Description (Continued)**

Address	Name	Description	Mode	Default
<b>Register 6 (0x06): Global Control 4</b>				
7	Switch SW4-MII/RMII Back Pressure Enable	1, enable half-duplex back pressure on switch MII/RMII interface. 0, disable back pressure on switch MII/RMII interface.	R/W	0
6	Switch SW4-MII/RMII Half-Duplex Mode	1, enable MII/RMII interface half-duplex mode. 0, enable MII/RMII interface full-duplex mode.	R/W	0 Pin SM4RXD2 strap option. PD(0): (default) Full-duplex mode. PU(1): Half-duplex mode. <i>Note: SMRXD2 has internal pull-down.</i>
5	Switch SW4-MII/RMII Flow Control Enable	1, enable full-duplex flow control on switch MII/RMII interface. 0, disable full-duplex flow control on switch MII/RMII interface.	R/W	0 Pin SM4RXD3 strap option. PD(0): (default) Disable flow control. PU(1): enable flow control. <i>Note: SMRXD3 has internal pull-down.</i>
4	Switch SW4-MII/RMII Speed	1, the switch SW4-MII/RMII is in 10Mbps mode. 0, the switch SW4-MII/RMII is in 100Mbps mode	R/W	0 Pin SM4RXD1 strap option. PD(0): (default) Enable 100Mbps. PU(1): Enable 10Mbps. <i>Note: SMRXD1 has internal pull-down.</i>

**Register Description (Continued)**

Address	Name	Description	Mode	Default
3	Null VID Replacement	1, will replace null VID with port VID (12 bits). 0, no replacement for null VID.	R/W	0
2 – 0	Broadcast Storm Protection Rate Bit [10:8]	This along with the next register determines how many “64 byte blocks” of packet data allowed on an input port in a preset period. The period is 50ms for 100BT or 500ms for 10BT. The default is 1%.	R/W	000
<b>Register 7 (0x07): Global Control 5</b>				
7 – 0	Broadcast Storm Protection Rate Bit [7:0]	This along with the previous register determines how many “64 byte blocks” of packet data are allowed on an input port in a preset period. The period is 50ms for 100BT or 500ms for 10BT. The default is 1%.	R/W	0x4A <sup>(1)</sup>
<b>Register 8 (0x08): Global Control 6</b>				
7 – 0	Factory Testing	N/A Do not change.	RO	0x00
<b>Register 9 (0x09): Global Control 7</b>				
7 – 0	Factory Testing	N/A Do not change.	RO	0x4C

**Note:**

1.  $148,800 \text{ frames/sec} \times 50\text{ms/interval} \times 1\% = 74 \text{ frames/interval (approx.)} = 0x4A.$

**Register Description (Continued)**

Address	Name	Description	Mode	Default		
<b>Register 10 (0x0A): Global Control 8</b>						
7 – 0	Factory Testing	N/A Do not change	RO	0x00		
<b>Register 11 (0x0B): Global Control 9</b>						
7	Port 3 SW3-RMII reference clock edge select	Select the data sampling edge of Switch MAC3 SW3- RMII reference clock: 1 = data sampling on negative edge of refclk 0 = data sampling on positive edge of refclk (default)	R/W	0		
6	Port 4 SW4- RMII reference clock edge select	Select the data sampling edge of Switch MAC4 SW4- RMII reference clock: 1 = data sampling on negative edge of refclk 0 = data sampling on positive edge of refclk (default)	R/W	0		
5	Reserved	N/A Do not change.	RO	0		
4	Reserved	N/A Do not change.	RO	0		
3	PHY Power Save	1 = disable PHY power save mode. 0 = enable PHY power save mode.	R/W	0		
2	Reserved	N/A Do not change.	RO	0		
1	LED Mode	0 = led mode 0. 1 = led mode 1.	R/W	0 Pin SM4RXD0 - strap option. Pull-down(0): Enabled led mode 0. Pull-up(1): Enabled led mode 1. <i>Note: SM4RXD0 has internal pull-down 0.</i>		
					Mode 0	Mode 1
		PxLED1			Lnk/Act	100Lnk/Act
		PxLED0			Speed	Full-duplex
0	SPI/SMI read sampling clock edge select	Select the SPI/SMI clock edge for sampling SPI/SMI read data 1 = trigger by rising edge of SPI/SMI clock (for high speed SPI about 25MHz and SMI about 10MHz) 0 = trigger by falling edge of SPI/SMI clock	R/W	0		

**Register Description (Continued)**

Address	Name	Description	Mode	Default
<b>Register 12 (0x0C): Global Control 10</b>				
7	Reserved	Reserved	RO	0
6	Status of device with RMII interface at clock mode or normal mode, default is clock mode with 25MHz Crystal clock from pins X1/X2	<p>1 = The device is in clock mode when use RMII interface, 25MHz Crystal clock input as clock source for internal PLL. This internal PLL will provide the 50 MHz output on the pin SMRXC for RMII reference clock (Default).</p> <p>0 = The device is in normal mode when use SW4-RMII interface and 50MHz clock input from external clock through pin SM4TXC as device's clock source and internal PLL clock source from this pin not from the 25MHz crystal.</p> <p>Note: This bit is set by strap option only. Write to this bit has no effect on mode selection</p> <p>Note: The normal mode is used in SW4-RMII interface reference clock from external.</p>	RO	<p>1 Pin P1LED1 strap option.</p> <p>PD(0): Select device at normal mode when use SW4-RMII and accept 50MHz clock from external.</p> <p>PU(1): (default) The device is at clock mode, provide 50MHz clock in RMII. <i>Note: P1LED1 has internal pull-up.</i></p>
5 – 4	CPU interface clock select	<p>Select the internal clock speed for SPI, MDI interface:</p> <p>00 = 41.67MHz (SPI up to 6.25MHz, MDC up to 6MHz)</p> <p>01 = 83.33MHz Default (SPI SCL up to 12.5MHz, MDC up to 12MHz)</p> <p>10 = 125MHz (for high speed SPI about 25MHz)</p> <p>11 = Reserved</p>	R/W	01
3	Reserved	N/A Do not change.	RO	00
2	Reserved	N/A Do not change.	RO	1
1	Tail Tag Enable	<p>Tail Tag feature is applied for Port 4 only.</p> <p>1 = Insert 1 Byte of data right before FCS</p> <p>0 = Do not insert</p>	R/W	0
0	Pass Flow Control Packet	<p>1 = Switch will not filter 802.1x "flow control" packets</p> <p>0 = Switch will filter 802.1x "flow control" packets</p>	R/W	0
<b>Register 13 (0x0D): Global Control 11</b>				
7 – 0	Factory Testing	N/A Do not change.	RO	00000000
<b>Register 14 (0x0E): Power Down Management Control 1</b>				
7	Reserved	N/A Do not change.	RO	0
6	Reserved	N/A Do not change.	RO	0

**Register Description (Continued)**

Address	Name	Description	Mode	Default
<b>Register 14 (0x0E): Power Down Management Control 1 (Continued)</b>				
5	PLL Power Down	PLL power down enable: 1 = Disable 0 = Enable PLL power down takes effect in Energy Detect mode	R/W	0
4 – 3	Power Management Mode	Power management mode: 00 = Normal mode (D0) 01 = Energy Detection mode (D2) 10 = soft Power Down mode (D3) 11 = Power Saving mode (D1)	R/W	00
2 – 0	Reserved	N/A Do not change.	RO	000
<b>Register 15 (0x0F): Power Down Management Control 2</b>				
7 – 0	Go_sleep_time[7:0]	When the Energy Detect mode is on, this value is used to control the minimum period that the no energy event has to be detected consecutively before the device enters the low power state. The unit is 20ms. The default of go sleep time is 1.6 seconds (80Dec x 20ms).	R/W	01010000

## Port Registers

The following registers are used to enable features that are assigned on a per port basis. The register bit assignments are the same for all ports, but the address for each port is different, as indicated.

**Register 16 (0x10): Reserved**

**Register 32 (0x20): Port 1 Control 0**

**Register 48 (0x30): Port 2 Control 0**

**Register 64 (0x40): Port 3 Control 0**

**Register 80 (0x50): Port 4 Control 0**

Address	Name	Description	Mode	Default
7	Broadcast Storm Protection Enable	1, enable broadcast storm protection for ingress packets on the port. 0, disable broadcast storm protection.	R/W	0
6	DiffServ Priority Classification Enable	1, enable DiffServ priority classification for ingress packets on port. 0, disable DiffServ function.	R/W	0
5	802.1p Priority Classification Enable	1, enable 802.1p priority classification for ingress packets on port. 0, disable 802.1p.	R/W	0
4 – 3	Port-Based Priority Classification Enable	= 00, ingress packets on port will be classified as priority 0 queue if “Diffserv” or “802.1p” classification is not enabled or fails to classify. = 01, ingress packets on port will be classified as priority 1 queue if “Diffserv” or “802.1p” classification is not enabled or fails to classify. = 10, ingress packets on port will be classified as priority 2 queue if “Diffserv” or “802.1p” classification is not enabled or fails to classify. = 11, ingress packets on port will be classified as priority 3 queue if “Diffserv” or “802.1p” classification is not enabled or fails to classify. <i>Note: “DiffServ”, “802.1p” and port priority can be enabled at the same time. The OR’ed result of 802.1p and DSCP overwrites the port priority.</i>	R/W	00
2	Tag Insertion	1, when packets are output on the port, the switch will add 802.1q tags to packets without 802.1q tags when received. The switch will not add tags to packets already tagged. The tag inserted is the ingress port’s “port VID.” 0, disable tag insertion.	R/W	0
1	Tag Removal	1, when packets are output on the port, the switch will remove 802.1q tags from packets with 802.1q tags when received. The switch will not modify packets received without tags. 0, disable tag removal.	R/W	0



**Register 16 (0x10): Reserved**

**Register 32 (0x20): Port 1 Control 0**

**Register 48 (0x30): Port 2 Control 0**

**Register 64 (0x40): Port 3 Control 0**

**Register 80 (0x50): Port 4 Control 0**

Address	Name	Description	Mode	Default
0	Two Queues Split Enable	<p>This bit0 in the register16/32/48/64/80 should be combination with Register193/209 bit 1 for port 1-2 will select the split of 1/2/4 queues:</p> <p>For port 1, [Register193 bit 1, Register32 bit 0] =</p> <p>[11], Reserved</p> <p>[10], the port output queue is split into four priority queues or if map 802.1p to priority 0-3 mode.</p> <p>[01], the port output queue is split into two priority queues or if map 802.1p to priority 0-3 mode.</p> <p>[00], single output queue on the port. There is no priority differentiation even though packets are classified into high or low priority.</p>	R/W	0

**Register 17 (0x11): Reserved**

**Register 33 (0x21): Port 1 Control 1**

**Register 49 (0x31): Port 2 Control 1**

**Register 65 (0x41): Port 3 Control 1**

**Register 81 (0x51): Port 4 Control 1**

Address	Name	Description	Mode	Default
7	Sniffer Port	<p>1, port is designated as sniffer port and will transmit packets that are monitored.</p> <p>0, port is a normal port.</p>	R/W	0
6	Receive Sniff	<p>1, all the packets received on the port will be marked as "monitored packets" and forwarded to the designated "sniffer port."</p> <p>0, no receive monitoring.</p>	R/W	0
5	Transmit Sniff	<p>1, all the packets transmitted on the port will be marked as "monitored packets" and forwarded to the designated "sniffer port."</p> <p>0, no transmit monitoring.</p>	R/W	0
4 – 0	Port VLAN Membership	<p>Define the port's Port VLAN membership. Bit 4 stands for port 4, bit 3 for port 3 bit 1 for port 1, bit 0 is reserved. The port can only communicate within the membership. A '1' includes a port in the membership, a '0' excludes a port from membership.</p>	R/W	0x1f

**Register 18 (0x12): Reserved**

**Register 34 (0x22): Port 1 Control 2**

**Register 50 (0x32): Port 2 Control 2**

**Register 66 (0x42): Port 3 Control 2**

**Register 82 (0x52): Port 4 Control 2**

Address	Name	Description	Mode	Default
7	User Priority Ceiling	1, If packet 's "user priority field" is greater than the "user priority field" in the port default tag register, replace the packet's "user priority field" with the "user priority field" in the port default tag register control 3. 0, no replace packet's priority filed with port default tag priority filed of the port register control 3 bit [7:5].	R/W	0
6	Ingress VLAN Filtering.	1, the switch will discard packets whose VID port membership in VLAN table bits [11:7] does not include the ingress port. 0, no ingress VLAN filtering.	R/W	0
5	Discard Non-PVID packets	1, the switch will discard packets whose VID does not match ingress port default VID. 0, no packets will be discarded.	R/W	0
4	Force Flow Control	1, will always enable Rx and Tx flow control on the port, regardless of AN result. 0, the flow control is enabled based on AN result (Default)	R/W	0
3	Back Pressure Enable	1, enable port half-duplex back pressure. 0, disable port half-duplex back pressure.	R/W	0 Pin SM3RXD2 strap option. Pull-down (0): disable back pressure. Pull-up(1): enable back pressure. <i>Note: SM3RXD2 has internal pull-down.</i>
2	Transmit Enable	1, enable packet transmission on the port. 0, disable packet transmission on the port.	R/W	1
1	Receive Enable	1, enable packet reception on the port. 0, disable packet reception on the port.	R/W	1
0	Learning Disable	1, disable switch address learning capability. 0, enable switch address learning.	R/W	0

**Note:**

Bits 2-0 are used for spanning tree support. See "Spanning Tree Support" section.

**Register 19 (0x13): Reserved**

**Register 35 (0x23): Port 1 Control 3**

**Register 51 (0x33): Port 2 Control 3**

**Register 67 (0x43): Port 3 Control 3**

**Register 83 (0x53): Port 4 Control 3**

Address	Name	Description	Mode	Default
7 – 0	Default Tag [15:8]	Port's default tag, containing: 7-5: user priority bits 4: CFI bit 3-0 : VID[11:8]	R/W	0x00

**Register 20 (0x14): Reserved**

**Register 36 (0x24): Port 1 Control 4**

**Register 52 (0x34): Port 2 Control 4**

**Register 68 (0x44): Port 3 Control 4**

**Register 84 (0x54): Port 4 Control 4**

Address	Name	Description	Mode	Default
7 – 0	Default Tag [7:0]	Default port 1's tag, containing: 7-0: VID[7:0]	R/W	0x01

**Note:**

Registers 35 and 36 (and those corresponding to other ports) serve two purposes: (1) Associated with the ingress untagged packets, and used for egress tagging; (2) Default VID for the ingress untagged or null-VID-tagged packets, and used for address look up.

**Register 87 (0x57): RMI Management Control Register**

Address	Name	Description	Mode	Default
7 – 4	Reserved		RO	0000
3	Port 4 MAC4 SW4-RMII 50MHz clock output disable	Disable the output of port 4 SW4-RMII 50MHz output clock on RXC pin when 50MHz clock is not being used by the device and the 50MHz clock from external oscillator or opposite device in RMII mode 1 = Disable clock output when RXC pin is not used in RMII mode 0 = Enable clock output in RMII mode	R/W	0
2 – 0	Reserved	N/A Do not change	RO	000

**Register 25 (0x19): Reserved****Register 41 (0x29): Port 1 Status 0****Register 57 (0x39): Port 2 Status 0****Register 73 (0x49): Reserved****Register 89 (0x59): Reserved**

Address	Name	Description	Mode	Default
7	Hp_mdix	1 = HP Auto MDI/MDI-X mode 0 = Micrel Auto MDI/MDI-X mode	R/W	1
6	Reserved	N/A Do not change	RO	0
5	Polrvs	1 = Polarity is reversed 0 = Polarity is not reversed	RO	0
4	Transmit Flow Control Enable	1 = Transmit flow control feature is active 0 = Transmit flow control feature is inactive	RO	0
3	Receive Flow Control Enable	1 = Receive flow control feature is active 0 = Receive flow control feature is inactive	RO	0
2	Operation Speed	1 = Link speed is 100Mbps 0 = Link speed is 10Mbps	RO	0
1	Operation Duplex	1 = Link duplex is full 0 = Link duplex is half	RO	0
0	Reserved	N/A Do not change	RO	0

**Register 26 (0x1A): Reserved****Register 42 (0x2A): Port 1 PHY Special Control/Status****Register 58 (0x3A): Port 2 PHY Special Control/Status****Register 74 (0x4A): Reserved****Register 90 (0x5A): Reserved**

Address	Name	Description	Mode	Default
7 – 4	Reserved	N/A Do not change	RO	0000
3	Force_Ink	1 = Force link pass 0 = Normal Operation	R/W	0
2	Pwrsave	1 = Enable power saving 0 = Disable power saving	R/W	0
1	Remote Loopback	1 = Perform Remote loopback, loopback on port 1 as follows: Port 1 (reg. 26, bit 1 = '1') Start: RXP1/RXM1 (port 1) Loopback: PMD/PMA of port 1's PHY End: TXP1/TXM1 (port 1) Setting reg. 42, 58, 74, 90, bit 1 = '1' will perform remote loopback on port 2, 3, 4, 5. 0 = Normal Operation.	R/W	0
0	Reserved	N/A Do not change	RO	0

**Register 27 (0x1B): Reserved****Register 43 (0x2B): Reserved****Register 59 (0x3B): Reserved****Register 75 (0x4B): Reserved****Register 91 (0x5B): Reserved**

Address	Name	Description	Mode	Default
7 – 0	Reserved	N/A Do not change	RO	0x00

**Register 28 (0x1C): Reserved****Register 44 (0x2C): Port 1 Control 5****Register 60 (0x3C): Port 2 Control 5****Register 76 (0x4C): Reserved****Register 92 (0x5C): Reserved**

Address	Name	Description	Mode	Default
7	Disable Auto-Negotiation	1, disable auto-negotiation, speed and duplex are decided by bit 6 and 5 of the same register. 0, auto-negotiation is on.	R/W	0
6	Forced Speed	1, forced 100BT if AN is disabled (bit 7). 0, forced 10BT if AN is disabled (bit 7).	R/W	1
5	Forced Duplex	1, forced full-duplex if (1) AN is disabled or (2) AN is enabled but failed. 0, forced half-duplex if (1) AN is disabled or (2) AN is enabled but failed (Default).	R/W	0
4	Advertised Flow Control Capability	1, advertise flow control capability. 0, suppress flow control capability from transmission to link partner.	R/W	1
3	Advertised 100BT Full-Duplex Capability	1, advertise 100BT full-duplex capability. 0, suppress 100BT full-duplex capability from transmission to link partner.	R/W	1
2	Advertised 100BT Half-Duplex Capability	1, advertise 100BT half-duplex capability. 0, suppress 100BT half-duplex capability from transmission to link partner.	R/W	1
1	Advertised 10BT Full-Duplex Capability	1, advertise 10BT full-duplex capability. 0, suppress 10BT full-duplex capability from transmission to link partner.	R/W	1
0	Advertised 10BT Half-Duplex Capability	1, advertise 10BT half-duplex capability. 0, suppress 10BT half-duplex capability from transmission to link partner.	R/W	1

**Register 29 (0x1D): Reserved**

**Register 45 (0x2D): Port 1 Control 6**

**Register 61 (0x3D): Port 2 Control 6**

**Register 77 (0x4D): Port 3 Control 6 for MAC Loop-back**

**Register 93 (0x5D): Port 4 Control 6 for MAC Loop-back**

Address	Name	Description	Mode	Default
7	LED Off	1, turn off all port's LEDs (PxLED0, PxLED1, where "x" is the port number). These pins will be driven high if this bit is set to one. 0, normal operation.	R/W	0
6	Txids	1, disable port's transmitter. 0, normal operation.	R/W	0
5	Restart AN	1, restart auto-negotiation. 0, normal operation.	R/W (SC)	0
4	Reserved	N/A	RO	0
3	Power Down	1, power down. 0, normal operation.	R/W	0
2	Disable Auto MDI/MDI-X	1, disable auto MDI/MDI-X function. 0, enable auto MDI/MDI-X function.	R/W	0
1	Forced MDI	1, if auto MDI/MDI-X is disabled, force PHY into MDI mode (transmit on RX pair). 0, MDI-X mode (transmit on TX pair).	R/W	0
0	MAC Loopback	1 = Perform MAC loopback, loop back path as follows: E.g. set port 1 MAC Loopback (reg. 45, bit 0 = '1'), use port 2 as monitor port. The packets will transfer Start: Port 2 receiving (also can start to receive packets from port 1). Loop-back: Port 1's MAC. End: Port 2 transmitting (also can end at port 1). Setting reg. 77, 93, bit 0 = '1' will perform MAC loopback on port 3, 4 respectively with monitor port 2. 0 = Normal Operation.	R/W	0

**Note:**

From bit [7-1] are reserved for the Port 3 and Port 4.

**Register 30 (0x1E): Reserved**

**Register 46 (0x2E): Port 1 Status 1**

**Register 62 (0x3E): Port 2 Status 1**

**Register 78 (0x4E): Reserved**

**Register 94 (0x5E): Reserved**

Address	Name	Description	Mode	Default
7	MDIX Status	1, MDI. 0, MDI-X.	RO	0
6	AN Done	1, AN done. 0, AN not done.	RO	0
5	Link Good	1, link good. 0, link not good.	RO	0
4	Partner Flow Control Capability	1, link partner flow control capable. 0, link partner not flow control capable.	RO	0
3	Partner 100BT Full-Duplex Capability	1, link partner 100BT full-duplex capable. 0, link partner not 100BT full-duplex capable.	RO	0
2	Partner 100BT Half-Duplex Capability	1, link partner 100BT half-duplex capable. 0, link partner not 100BT half-duplex capable.	RO	0
1	Partner 10BT Full-Duplex Capability	1, link partner 10BT full-duplex capable. 0, link partner not 10BT full-duplex capable.	RO	0
0	Partner 10BT Half-Duplex Capability	1, link partner 10BT half-duplex capable. 0, link partner not 10BT half-duplex capable.	RO	0

**Register 31 (0x1F): Reserved**

**Register 47 (0x2F): Port 1 Control 7 and Status 2**

**Register 63 (0x3F): Port 2 Control 7 and Status 2**

**Register 79 (0x4F): Reserved**

**Register 95 (0x5F): Reserved**

Address	Name	Description	Mode	Default
7	PHY Loopback	1 = Perform PHY loopback, loop back path as follows: e.g. set port 1 PHY Loopback (reg. 47, bit 7 = '1') Use the port 2 as monitor port. The packets will transfer Start: Port 2 receiving (also can start from port 1). Loopback: PMD/PMA of port 1's PHY End: Port 2 transmitting (also can end at port 1). Setting reg. 63 bit 7 = '1' will perform PHY loopback on port 2 with monitor port 1. 0 = Normal Operation.	R/W	0
6	Reserved	N/A Do not change	RO	0
5	PHY Isolate	1, electrical isolation of PHY from MII and TX+/TX-. 0, normal operation.	R/W	0
4	Soft Reset	1, PHY soft reset. This bit is self clear. 0, normal operation.	R/W (SC)	0
3	Force Link	1, force link in the PHY. 0, normal operation	R/W	0
2 – 0	Port Operation Mode Indication	Indicate the current state of port operation mode: [000] = Reserved [001] = still in auto-negotiation [010] = 10BASE-T half duplex [011] = 100BASE-TX half duplex [100] = Reserved [101] = 10BASE-T full duplex [110] = 100BASE-TX full duplex [111] = Reserved	RO	001

**Note:**

Port Control 12 and 13, 14 and Port Status 1,2 contents can be accessed by MIIM (MDC/MDIO) interface via the standard MIIM register definition.



## Advanced Control Registers

Registers 104 to 109 define the switching engine's MAC address. This 48-bit address is used as the source address in MAC pause control frames, or is used for self MAC address filtering, see the register 134 also.

Address	Name	Description	Mode	Default
<b>Register 104 (0x68): MAC Address Register 0</b>				
7 – 0	MACA[47:40]		R/W	0x00
<b>Register 105 (0x69): MAC Address Register 1</b>				
7 – 0	MACA[39:32]		R/W	0x10
<b>Register 106 (0x6A): MAC Address Register 2</b>				
7 – 0	MACA[31:24]		R/W	0xA1
<b>Register 107 (0x6B): MAC Address Register 3</b>				
7 – 0	MACA[23:16]		R/W	0xff
<b>Register 108 (0x6C): MAC Address Register 4</b>				
7 – 0	MACA[15:8]		R/W	0xff
<b>Register 109 (0x6D): MAC Address Register 5</b>				
7 – 0	MACA[7:0]		R/W	0xff

**Note:**

Use registers 110 and 111 to read or write data to the static MAC address table, VLAN table, dynamic address table, or the MIB counters.

Address	Name	Description	Mode	Default
<b>Register 110 (0x6E): Indirect Access Control 0</b>				
7 – 5	Reserved	Reserved.	R/W	000
4	Read High Write Low	1, read cycle. 0, write cycle.	R/W	0
3 – 2	Table Select	00 = static mac address table selected. 01 = VLAN table selected. 10 = dynamic address table selected. 11 = MIB counter selected.	R/W	0
1 – 0	Indirect Address High	Bit 9-8 of indirect address.	R/W	00
<b>Register 111 (0x6F): Indirect Access Control 1</b>				
7 – 0	Indirect Address Low	Bit 7-0 of indirect address.	R/W	00000000

**Note:**

Write to Register 111 will actually trigger a command. Read or write access will be decided by bit 4 of Register 110.

Address	Name	Description	Mode	Default
<b>Register 112 (0x70): Indirect Data Register 8</b>				
68 – 64	Indirect Data	Bit 68-64 of indirect data.	R/W	00000
<b>Register 113 (0x71): Indirect Data Register 7</b>				
63 – 56	Indirect Data	Bit 63-56 of indirect data.	R/W	00000000
<b>Register 114 (0x72): Indirect Data Register 6</b>				
55 – 48	Indirect Data	Bit 55-48 of indirect data.	R/W	00000000

Address	Name	Description	Mode	Default
<b>Register 115 (0x73): Indirect Data Register 5</b>				
47 – 40	Indirect Data	Bit 47-40 of indirect data.	R/W	00000000
<b>Register 116 (0x74): Indirect Data Register 4</b>				
39 – 32	Indirect Data	Bit 39-32 of indirect data.	R/W	00000000
<b>Register 117 (0x75): Indirect Data Register 3</b>				
31 – 24	Indirect Data	Bit of 31-24 of indirect data	R/W	00000000
<b>Register 118 (0x76): Indirect Data Register 2</b>				
23 – 16	Indirect Data	Bit 23-16 of indirect data.	R/W	00000000
<b>Register 119 (0x77): Indirect Data Register 1</b>				
15 – 8	Indirect Data	Bit 15-8 of indirect data.	R/W	00000000
<b>Register 120 (0x78): Indirect Data Register 0</b>				
7 – 0	Indirect Data	Bit 7-0 of indirect data.	R/W	00000000
<b>Register 124 (0x7C): Interrupt Status Register</b>				
7 – 3	Reserved	Reserved.	RO	000
2	Port 2 Interrupt Status	1, Port 2 interrupt request 0, normal Note: This bit is set by port 2 link change. Write a “1” to clear this bit	RO	0
1	Port 1 Interrupt Status	1, Port 1 interrupt request 0, normal Note: This bit is set by port 1 link change. Write a “1” to clear this bit	RO	0
0	Reserved	Reserved.	RO	0
<b>Register 125 (0x7D): Interrupt Mask Register</b>				
7 – 3	Reserved	Reserved.	RO	000
2	Port 2 Interrupt Mask	1, Port 2 interrupt mask 0, normal	R/W	0
1	Port 1 Interrupt Mask	1, Port 1 interrupt mask 0, normal	R/W	0
0	Reserved	Reserved.	RO	0

The registers 128, 129 can be used to map from 802.1p priority field 0-7 to switch's four priority queues 0-3, 0x3 is highest priority queues as priority 3, 0x0 is lowest priority queues as priority 0.

Address	Name	Description	Mode	Default
<b>Register 128 (0x80): Global Control 12</b>				
7 – 6	Tag_0x3	IEEE 802.1p mapping. The value in this field is used as the frame's priority when its IEEE 802.1p tag has a value of 0x3.	R/W	0x1
5 – 4	Tag_0x2	IEEE 802.1p mapping. The value in this field is used as the frame's priority when its IEEE 802.1p tag has a value of 0x2.	R/W	0x1
3 – 2	Tag_0x1	IEEE 802.1p mapping. The value in this field is used as the frame's priority when its IEEE 802.1p tag has a value of 0x1.	R/W	0x0
1 – 0	Tag_0x0	IEEE 802.1p mapping. The value in this field is used as the frame's priority when its IEEE 802.1p tag has a value of 0x0.	R/W	0x0
<b>Register 129 (0x81): Global Control 13</b>				
7 – 6	Tag_0x7	IEEE 802.1p mapping. The value in this field is used as the frame's priority when its IEEE 802.1p tag has a value of 0x7.	R/W	0x3
5 – 4	Tag_0x6	IEEE 802.1p mapping. The value in this field is used as the frame's priority when its IEEE 802.1p tag has a value of 0x6.	R/W	0x3
3 – 2	Tag_0x5	IEEE 802.1p mapping. The value in this field is used as the frame's priority when its IEEE 802.1p tag has a value of 0x5.	R/W	0x2
1 – 0	Tag_0x4	IEEE 802.1p mapping. The value in this field is used as the frame's priority when its IEEE 802.1p tag has a value of 0x4.	R/W	0x2
<b>Register 130 (0x82): Global Control 14</b>				
7 – 6	Pri_2Q[1:0]  (Note that program Prio_2Q[1:0] = 01 is not supported and should be avoided)	When the 2 Queue configuration is selected, these Pri_2Q[1:0] bits are used to map the 2-bit result of IEEE 802.1p from register 128/129 or TOS/DiffServ from register 144- 159 mapping (for 4 Queues) into two queues low/high priorities. 2-bit result of IEEE 802.1p or TOS/DiffServ 00 (0) = map to Low priority queue 01 (1) = Prio_2Q[0] map to Low/High priority queue 10 (2) = Prio_2Q[1] map to Low/High priority queue 11 (3) = map to High priority queue Pri_2Q[1:0] = 00: Result 0,1,2 are low priority. 3 is high priority. 10: Result 0,1 are low priority. 2,3 are high priority (default). 11: Result 0 is low priority. 1,2,3 are high priority.	R/W	10
5	Reserved	N/A Do not change.	RO	0

Address	Name	Description	Mode	Default
<b>Register 130 (0x82): Global Control 14</b>				
4	Reserved	N/A Do not change.	RO	0
3 – 2	Reserved	N/A Do not change.	RO	01
1	Reserved	N/A Do not change.	RO	0
0	Reserved	N/A Do not change.	RO	0.
<b>Register 131 (0x83): Global Control 15</b>				
7	Reserved	N/A	RO	0
6	Reserved	N/A	RO	0
5	Unknown unicast packet forward	1 = enable supporting unknown unicast packet forward 0 = disable	R/W	0
4 – 0	Unknown unicast packet forward port map	00000 = filter unknown unicast packet 00001 = reserved 0001x = forward unknown unicast packet to Port 1 0010x = forward unknown unicast packet to Port 2 0011x = forward unknown unicast packet to Port 1, Port 2 1111x = broadcast unknown unicast packet to all ports Note: x = '0' or '1', bit 0 is reserved.	R/W	00000
<b>Register 132 (0x84): Global Control 16</b>				
7 – 6	Chip I/O output drive strength select[1:0]	Output drive strength select[1:0] = 00 = 4mA drive strength 01 = 8mA drive strength (default) 10 = 12mA drive strength 11 = 16mA drive strength	R/W	01
5	Unknown multicast packet forward (not including IP multicast packet)	1 = enable supporting unknown multicast packet forward 0 = disable	R/W	0
4 – 0	Unknown multicast packet forward port map	00000 = filter unknown multicast packet 00001 = reserved 0001x = forward unknown unicast packet to Port 1 0010x = forward unknown unicast packet to Port 2 0011x = forward unknown unicast packet to Port 1, Port 2 1111x = broadcast unknown unicast packet to all ports Note: x = '0' or '1', bit 0 is reserved.	R/W	00000

Address	Name	Description	Mode	Default
<b>Register 133(0x85): Global Control 17</b>				
7 – 6	Reserved		RO	00
5	Unknown VID packet forward	1 = enable supporting unknown VID packet forward 0 = disable	R/W	0
4 – 0	Unknown VID packet forward port map	00000 = filter unknown VID packet 00001 = reserved 0001x = forward unknown unicast packet to Port 1 0010x = forward unknown unicast packet to Port 2 0011x = forward unknown unicast packet to Port 1, Port 2 1111x = broadcast unknown unicast packet to all ports Note: x = '0' or '1', bit 0 is reserved.	R/W	00000
<b>Register 134 (0x86): Global Control 18</b>				
7	Reserved	N/A	RO	0
6	Self Address Filter Enable	1 = Enable filtering of self-address unicast and multicast packet 0 = Do not filter self-address packet Note: The self-address filtering will filter packets on the egress port, self MAC address is assigned in the register 104-109.	R/W	0
5	Unknown IP multicast packet forward	1 = enable supporting unknown IP multicast packet forward 0 = disable	R/W	0
4 – 0	Unknown IP multicast packet forward port map	00000 = filter unknown IP multicast packet 00001 = reserved 0001x = forward unknown unicast packet to Port 1 0010x = forward unknown unicast packet to Port 2 0011x = forward unknown unicast packet to Port 1, Port 2 1111x = broadcast unknown unicast packet to all ports Note: x = '0' or '1', bit 0 is reserved.	R/W	00000

Address	Name	Description	Mode	Default
<b>Register 135 (0x87): Global Control 19</b>				
7	Reserved	N/A Do not change.	RO	0
6	Reserved	N/A Do not change.	RO	0
5 – 4	Ingress Rate Limit Period	The unit period for calculating Ingress Rate Limit 00 = 16ms 01 = 64ms 1x = 256ms	R/W	01
3	Queue-based Egress Rate Limit Enabled	Enable Queue-based Egress Rate Limit 0 = port-base Egress Rate Limit (default) 1 = queue-based Egress Rate Limit	R/W	0
2	Insertion Source Port PVID Tag Selection Enable	1 = enable source port PVID tag insertion or non-insertion option on the egress port for each source port PVID based on the ports registers control 8. 0 = disable, all packets from any ingress port will be inserted PVID based on port register control 0 bit 2.	R/W	0
1 – 0	Reserved	N/A Do not change.	RO	00
<b>Register 144 (0x90): TOS Priority Control Register 0</b>				
The IPv4/IPv6 TOS priority control registers implement a fully decoded 64 bit differentiated services code point (DSCP) register used to determine priority from the 6 bit TOS field in the IP header. The most significant 6 bits of the TOS field are fully decoded into 64 possibilities, and the singular code that results is mapped to the value in the corresponding bit in the DSCP register.				
7 – 6	DSCP[7:6]	IPv4 and IPv6 mapping The value in this field is used as the frame's priority when bits[7:2] of the frame's IP TOS/DiffServ/Traffic Class value is 0x03.	R/W	00
5 – 4	DSCP[5:4]	IPv4 and IPv6 mapping The value in this field is used as the frame's priority when bits[7:2] of the frame's IP TOS/DiffServ/Traffic Class value is 0x02	R/W	00
3 – 2	DSCP[3:2]	IPv4 and IPv6 mapping The value in this field is used as the frame's priority when bits[7:2] of the frame's IP TOS/DiffServ/Traffic Class value is 0x01	R/W	00
1 - 0	DSCP[1:0]	IPv4 and IPv6 mapping The value in this field is used as the frame's priority when bits[7:2] of the frame's IP TOS/DiffServ/Traffic Class value is 0x00	R/W	00

Address	Name	Description	Mode	Default
<b>Register 145 (0x91): TOS Priority Control Register 1</b>				
7 – 6	DSCP[15:14]	IPv4 and IPv6 mapping _ for value 0x07	R/W	00
5 – 4	DSCP[13:12]	IPv4 and IPv6 mapping _ for value 0x06	R/W	00
3 – 2	DSCP[11:10]	IPv4 and IPv6 mapping _ for value 0x05	R/W	00
1 – 0	DSCP[9:8]	IPv4 and IPv6 mapping _ for value 0x04	R/W	00
<b>Register 146 (0x92): TOS Priority Control Register 2</b>				
7 – 6	DSCP[23:22]	IPv4 and IPv6 mapping _ for value 0x0B	R/W	00
5 – 4	DSCP[21:20]	IPv4 and IPv6 mapping _ for value 0x0A	R/W	00
3 – 2	DSCP[19:18]	IPv4 and IPv6 mapping _ for value 0x09	R/W	00
1 – 0	DSCP[17:16]	IPv4 and IPv6 mapping _ for value 0x08	R/W	00
<b>Register 147 (0x93): TOS Priority Control Register 3</b>				
7 – 6	DSCP[31:30]	IPv4 and IPv6 mapping _ for value 0x0F	R/W	00
5 – 4	DSCP[29:28]	IPv4 and IPv6 mapping _ for value 0x0E	R/W	00
3 – 2	DSCP[27:26]	IPv4 and IPv6 mapping _ for value 0x0D	R/W	00
1 – 0	DSCP[25:24]	IPv4 and IPv6 mapping _ for value 0x0C	R/W	00
<b>Register 148 (0x94): TOS Priority Control Register 4</b>				
7 – 6	DSCP[39:38]	IPv4 and IPv6 mapping _ for value 0x13	R/W	00
5 – 4	DSCP[37:36]	IPv4 and IPv6 mapping _ for value 0x12	R/W	00
3 – 2	DSCP[35:34]	IPv4 and IPv6 mapping _ for value 0x11	R/W	00
1 – 0	DSCP[33:32]	IPv4 and IPv6 mapping _ for value 0x10	R/W	00
<b>Register 149 (0x95): TOS Priority Control Register 5</b>				
7 – 6	DSCP[47:46]	IPv4 and IPv6 mapping _ for value 0x17	R/W	00
5 – 4	DSCP[45:44]	IPv4 and IPv6 mapping _ for value 0x16	R/W	00
3 – 2	DSCP[43:42]	IPv4 and IPv6 mapping _ for value 0x15	R/W	00
1 – 0	DSCP[41:40]	IPv4 and IPv6 mapping _ for value 0x14	R/W	00

Address	Name	Description	Mode	Default
<b>Register 150 (0x96): TOS Priority Control Register 6</b>				
7 – 6	DSCP[55:54]	IPv4 and IPv6 mapping _ for value 0x1B	R/W	00
5 – 4	DSCP[53:52]	IPv4 and IPv6 mapping _ for value 0x1A	R/W	00
3 – 2	DSCP[51:50]	IPv4 and IPv6 mapping _ for value 0x19	R/W	00
1 – 0	DSCP[49:48]	IPv4 and IPv6 mapping _ for value 0x18	R/W	00
<b>Register 151 (0x97): TOS Priority Control Register 7</b>				
7 – 6	DSCP[63:62]	IPv4 and IPv6 mapping _ for value 0x1F	R/W	00
5 – 4	DSCP[61:60]	IPv4 and IPv6 mapping _ for value 0x1E	R/W	00
3 – 2	DSCP[59:58]	IPv4 and IPv6 mapping _ for value 0x1D	R/W	00
1 – 0	DSCP[57:56]	IPv4 and IPv6 mapping _ for value 0x1C	R/W	00
<b>Register 152 (0x98): TOS Priority Control Register 8</b>				
7 – 6	DSCP[71:70]	IPv4 and IPv6 mapping _ for value 0x23	R/W	00
5 – 4	DSCP[69:68]	IPv4 and IPv6 mapping _ for value 0x22	R/W	00
3 – 2	DSCP[67:66]	IPv4 and IPv6 mapping _ for value 0x21	R/W	00
1 – 0	DSCP[65:64]	IPv4 and IPv6 mapping _ for value 0x20	R/W	00
<b>Register 153 (0x99): TOS Priority Control Register 9</b>				
7 – 6	DSCP[79:78]	IPv4 and IPv6 mapping _ for value 0x27	R/W	00
5 – 4	DSCP[77:76]	IPv4 and IPv6 mapping _ for value 0x26	R/W	00
3 – 2	DSCP[75:74]	IPv4 and IPv6 mapping _ for value 0x25	R/W	00
1 – 0	DSCP[73:72]	IPv4 and IPv6 mapping _ for value 0x24	R/W	00
<b>Register 154 (0x9A): TOS Priority Control Register 10</b>				
7 – 6	DSCP[87:86]	IPv4 and IPv6 mapping _ for value 0x2B	R/W	00
5 – 4	DSCP[85:84]	IPv4 and IPv6 mapping _ for value 0x2A	R/W	00
3 – 2	DSCP[83:82]	IPv4 and IPv6 mapping _ for value 0x29	R/W	00
1 – 0	DSCP[81:80]	IPv4 and IPv6 mapping _ for value 0x28	R/W	00
<b>Register 155 (0x9B): TOS Priority Control Register 11</b>				
7 – 6	DSCP[95:94]	IPv4 and IPv6 mapping _ for value 0x2F	R/W	00
5 – 4	DSCP[93:92]	IPv4 and IPv6 mapping _ for value 0x2E	R/W	00
3 – 2	DSCP[91:90]	IPv4 and IPv6 mapping _ for value 0x2D	R/W	00
1 – 0	DSCP[89:88]	IPv4 and IPv6 mapping _ for value 0x2C	R/W	00
<b>Register 156 (0x9C): TOS Priority Control Register 12</b>				
7 – 6	DSCP[103:102]	IPv4 and IPv6 mapping _ for value 0x33	R/W	00
5 – 4	DSCP[101:100]	IPv4 and IPv6 mapping _ for value 0x32	R/W	00
3 – 2	DSCP[99:98]	IPv4 and IPv6 mapping _ for value 0x31	R/W	00
1 – 0	DSCP[97:96]	IPv4 and IPv6 mapping _ for value 0x30	R/W	00



Address	Name	Description	Mode	Default
<b>Register 157 (0x9D): TOS Priority Control Register 13</b>				
7 – 6	DSCP[111:110]	IPv4 and IPv6 mapping _ for value 0x37	R/W	00
5 – 4	DSCP[109:108]	IPv4 and IPv6 mapping _ for value 0x36	R/W	00
3 – 2	DSCP[107:106]	IPv4 and IPv6 mapping _ for value 0x35	R/W	00
1 – 0	DSCP[105:104]	IPv4 and IPv6 mapping _ for value 0x34	R/W	00
<b>Register 158 (0x9E): TOS Priority Control Register 14</b>				
7 – 6	DSCP[119:118]	IPv4 and IPv6 mapping _ for value 0x3B	R/W	00
5 – 4	DSCP[117:116]	IPv4 and IPv6 mapping _ for value 0x3A	R/W	00
3 – 2	DSCP[115:114]	IPv4 and IPv6 mapping _ for value 0x39	R/W	00
1 – 0	DSCP[113:112]	IPv4 and IPv6 mapping _ for value 0x38	R/W	00
<b>Register 159 (0x9F): TOS Priority Control Register 15</b>				
7 – 6	DSCP[127:126]	IPv4 and IPv6 mapping _ for value 0x3F	R/W	00
5 – 4	DSCP[125:124]	IPv4 and IPv6 mapping _ for value 0x3E	R/W	00
3 – 2	DSCP[123:122]	IPv4 and IPv6 mapping _ for value 0x3D	R/W	00
1 – 0	DSCP[121:120]	IPv4 and IPv6 mapping _ for value 0x3C	R/W	00
<b>Register 176 (0xB0): Reserved</b>				
<b>Register 192 (0xC0): Port 1 Control 8</b>				
<b>Register 208 (0xD0): Port 2 Control 8</b>				
<b>Register 224 (0xE0): Port 3 Control 8</b>				
<b>Register 240 (0xF0): Port 4 Control 8</b>				
7 – 4	Reserved		RO	0000
3	Insert Source Port PVID for Untagged Packet Destination to Highest Egress Port  Note: Enabled by the register 135 bit 2	Register 208: insert source Port 2 PVID for untagged frame at egress Port 4 Register 224: insert source Port 3 PVID for untagged frame at egress Port 4 Register 240: insert source Port 4 PVID for untagged frame at egress Port 3	R/W	0
2	Insert Source Port PVID for Untagged Packet Destination to Second Highest Egress Port  Note: Enabled by the register 135 bit 2	Register 192: insert source Port 1 PVID for untagged frame at egress Port 3 Register 208: insert source Port 2 PVID for untagged frame at egress Port 3 Register 224: insert source Port 3 PVID for untagged frame at egress Port 2 Register 240: insert source Port 4 PVID for untagged frame at egress Port 2.	R/W	0

Address	Name	Description	Mode	Default
1	Insert Source Port PVID for Untagged Packet Destination to Second Lowest Egress Port  Note: Enabled by the register 135 bit 2	Register 192: insert source Port 1 PVID for untagged frame at egress Port 2 Register 208: insert source Port 2 PVID for untagged frame at egress Port 1 Register 224: insert source Port 3 PVID for untagged frame at egress Port 1 Register 240: insert source Port 4 PVID for untagged frame at egress Port 1	R/W	0
0	Reserved	Reserved	RO	0
<b>Register 177 (0xB1): Reserved</b> <b>Register 193 (0xC1): Port 1 Control 9</b> <b>Register 209 (0xD1): Port 2 Control 9</b> <b>Register 225 (0xE1): Port 3 Control 9</b> <b>Register 241 (0xF1): Port 4 Control 9</b>				
7 – 2	Reserved		RO	0000000
1	4 Queue Split Enable	This bit in combination with Register32/48/64/80 bit 0 will select the split of 1/2/4 queues: {Register193 bit 1, Register32 bit 0}= 11, reserved. 10, the port output queue is split into four priority queues or if map 802.1p to priority 0-3 mode. 01, the port output queue is split into two priority queues or if map 802.1p to priority 0-3 mode. 00, single output queue on the port. There is no priority differentiation even though packets are classified into high and low priority	R/W	0
0	Enable Dropping Tag	0 = disable the drop received tagged packets 1 = enable the drop received tagged packets	R/W	0
<b>Register 178 (0xB2): Reserved</b> <b>Register 194 (0xC2): Port 1 Control 10</b> <b>Register 210 (0xD2): Port 2 Control 10</b> <b>Register 226 (0xE2): Port 3 Control 10</b> <b>Register 242 (0xF2): Port 4 Control 10</b>				
7	Enable Port Transmit Queue 3 Ratio	0, strict priority, will transmit all the packets from this priority queue 3 before transmit lower priority queue. 1, bit[6:0] reflect the packet number allow to transmit from this priority queue 3 within a certain time	R/W	1
6 – 0	Port Transmit Queue 3 Ratio[6:0]	Packet number for Transmit Queue 3 for highest priority packets in four queues mode	R/W	0001000

Address	Name	Description	Mode	Default
<b>Register 179 (0xB3): Reserved</b> <b>Register 195 (0xC3): Port 1 Control 11</b> <b>Register 211 (0xD3): Port 2 Control 11</b> <b>Register 227 (0xE3): Port 3 Control 11</b> <b>Register 243 (0xF3): Port 4 Control 11</b>				
7	Enable Port Transmit Queue 2 Ratio	0, strict priority, will transmit all the packets from this priority queue 2 before transmit lower priority queue. 1, bit[6:0] reflect the packet number allow to transmit from this priority queue 1 within a certain time	R/W	1
6 – 0	Port Transmit Queue 2 Ratio[6:0]	Packet number for Transmit Queue 2 for high/low priority packets in high/low priority packets in four queues mode	R/W	0000100
<b>Register 180 (0xB4): Reserved</b> <b>Register 196 (0xC4): Port 1 Control 12</b> <b>Register 212 (0xD4): Port 2 Control 12</b> <b>Register 228 (0xE4): Port 3 Control 12</b> <b>Register 244 (0xF4): Port 4 Control 12</b>				
7	Enable Port Transmit Queue 1 Rate	0, strict priority, will transmit all the packets from this priority queue 1 before transmit lower priority queue. 1, bit[6:0] reflect the packet number allow to transmit from this priority queue 1 within a certain time	R/W	1
6 – 0	Port Transmit Queue 1 Ratio[6:0]	Packet number for Transmit Queue 1 for low/high priority packets in four queues mode and high priority packets in two queues mode	R/W	0000010
<b>Register 181 (0xB5): Reserved</b> <b>Register 197 (0xC5): Port 1 Control 13</b> <b>Register 213 (0xD5): Port 2 Control 13</b> <b>Register 229 (0xE5): Port 3 Control 13</b> <b>Register 245 (0xF5): Port 4 Control 13</b>				
7	Enable Port Transmit Queue 0 Rate	0, strict priority, will transmit all the packets from this priority queue 0 before transmit lower priority queue. 1, bit[6:0] reflect the packet number allow to transmit from this priority queue 0 within a certain time	R/W	1
6 – 0	Port Transmit Queue 0 Ratio[6:0]	packet number for Transmit Queue 0 for lowest priority packets in four queues mode and low priority packets in two queues mode	R/W	0000001

Address	Name	Description	Mode	Default
<b>Register 182 (0xB6): Reserved</b>				
<b>Register 198 (0xC6): Port 1 Rate Limit Control</b>				
<b>Register 214 (0xD6): Port 2 Rate Limit Control</b>				
<b>Register 230 (0xE6): Port 3 Rate Limit Control</b>				
<b>Register 246 (0xF6): Port 4 Rate Limit Control</b>				
7 – 5	Reserved		RO	000
4	Ingress Rate Limit Flow Control Enable	1 = Flow Control is asserted if the port's receive rate is exceeded 0 = Flow Control is not asserted if the port's receive rate is exceeded	R/W	0
3 – 2	Limit Mode	Ingress Limit Mode These bits determine what kinds of frames are limited and counted against ingress rate limiting. = 00, limit and count all frames = 01, limit and count Broadcast, Multicast, and flooded unicast frames = 10, limit and count Broadcast and Multicast frames only = 11, limit and count Broadcast frames only	R/W	00
1	Count IFG	Count IFG bytes = 1, each frame's minimum inter frame gap (IFG) bytes (12 per frame) are included in Ingress and Egress rate limiting calculations. = 0, IFG bytes are not counted.	R/W	0
0	Count Pre	Count Preamble bytes = 1, each frame's preamble bytes (8 per frame) are included in Ingress and Egress rate limiting calculations. = 0, preamble bytes are not counted.	R/W	0
<b>Register 183 (0xB7): Reserved</b>				
<b>Register 199 (0xC7): Port 1 Priority 0 Ingress Limit Control 1</b>				
<b>Register 215 (0xD7): Port 2 Priority 0 Ingress Limit Control 1</b>				
<b>Register 231 (0xE7): Port 3 Priority 0 Ingress Limit Control 1</b>				
<b>Register 247 (0xF7): Port 4 Priority 0 Ingress Limit Control 1</b>				
7	Reserved		RO	0
6 – 0	Port-Based Priority 0 Ingress Limit	Ingress data rate limit for priority 0 frames Ingress traffic from this port is shaped according to the Data Rate Selected Table. See the table follow the end of Egress limit control registers	R/W	0000000

Address	Name	Description	Mode	Default
<b>Register 184 (0xB8): Reserved</b>				
<b>Register 200 (0xC8): Port 1 Priority 1 Ingress Limit Control 2</b>				
<b>Register 216 (0xD8): Port 2 Priority 1 Ingress Limit Control 2</b>				
<b>Register 232 (0xE8): Port 3 Priority 1 Ingress Limit Control 2</b>				
<b>Register 248 (0xF8): Port 4 Priority 1 Ingress Limit Control 2</b>				
7	Reserved		RO	0
6 – 0	Port-Based Priority 1 Ingress Limit	Ingress data rate limit for priority 1 frames Ingress traffic from this port is shaped according to the Data Rate Selected Table. See the table follow the end of Egress limit control registers	R/W	0000000
<b>Register 185 (0xB9): Reserved</b>				
<b>Register 201 (0xC9): Port 1 Priority 2 Ingress Limit Control 3</b>				
<b>Register 217 (0xD9): Port 2 Priority 2 Ingress Limit Control 3</b>				
<b>Register 233 (0xE9): Port 3 Priority 2 Ingress Limit Control 3</b>				
<b>Register 249 (0xF9): Port 4 Priority 2 Ingress Limit Control 3</b>				
7	Reserved		RO	0
6 – 0	Port Based Priority 2 Ingress Limit	Ingress data rate limit for priority 2 frames Ingress traffic from this port is shaped according to the Data Rate Selected Table. See the table follow the end of Egress limit control registers	R/W	0000000
<b>Register 186 (0xBA): Reserved</b>				
<b>Register 202 (0xCA): Port 1 Priority 3 Ingress Limit Control 4</b>				
<b>Register 218 (0xDA): Port 2 Priority 3 Ingress Limit Control 4</b>				
<b>Register 234 (0xEA): Port 3 Priority 3 Ingress Limit Control 4</b>				
<b>Register 250 (0xFA): Port 4 Priority 3 Ingress Limit Control 4</b>				
7	Reserved		RO	0
6 – 0	Port Based Priority 3 Ingress Limit	Ingress data rate limit for priority 3 frames Ingress traffic from this port is shaped according to the Data Rate Selected Table. See the table follow the end of Egress limit control registers	R/W	0000000

Address	Name	Description	Mode	Default
<b>Register 187 (0xBB): Reserved</b> <b>Register 203 (0xCB): Port 1 Queue 0 Egress Limit Control 1</b> <b>Register 219 (0xDB): Port 2 Queue 0 Egress Limit Control 1</b> <b>Register 235 (0xEB): Port 3 Queue 0 Egress Limit Control 1</b> <b>Register 251 (0xFB): Port 4 Queue 0 Egress Limit Control 1</b>				
7	Reserved		RO	0
6 – 0	Port Queue 0 Egress Limit	Egress data rate limit for priority 0 frames Egress traffic from this priority queue is shaped according to the Data Rate Selected Table. See the table follow the end of Egress limit control registers. In four queues mode, it is lowest priority. In two queues mode, it is low priority.	R/W	0000000
<b>Register 188 (0xBC): Reserved</b> <b>Register 204 (0xCC): Port 1 Queue 1 Egress Limit Control 2</b> <b>Register 220 (0xDC): Port 2 Queue 1 Egress Limit Control 2</b> <b>Register 236 (0xEC): Port 3 Queue 1 Egress Limit Control 2</b> <b>Register 252 (0xFC): Port 4 Queue 1 Egress Limit Control 2</b>				
7	Reserved		RO	0
6 – 0	Port Queue 1 Egress Limit	Egress data rate limit for priority 1 frames Egress traffic from this priority queue is shaped according to the Data Rate Selected Table. See the table follow the end of Egress limit control registers. In four queues mode, it is low/high priority. In two queues mode, it is high priority.	R/W	0000000
<b>Register 189 (0xBD): Reserved</b> <b>Register 205 (0xCD): Port 1 Queue 2 Egress Limit Control 3</b> <b>Register 221 (0xDD): Port 2 Queue 2 Egress Limit Control 3</b> <b>Register 237 (0xED): Port 3 Queue 2 Egress Limit Control 3</b> <b>Register 253 (0xFD): Port 4 Queue 2 Egress Limit Control 3</b>				
7	Reserved		RO	0
6 – 0	Port Queue 2 Egress Limit	Egress data rate limit for priority 2 frames Egress traffic from this priority queue is shaped according to the Data Rate Selected Table. See the table follow the end of Egress limit control registers. In four queues mode, it is high/low priority.	R/W	0000000

Address	Name	Description	Mode	Default
<b>Register 190 (0xBE): Reserved</b> <b>Register 206 (0xCE): Port 1 Queue 3 Egress Limit Control 4</b> <b>Register 222 (0xDE): Port 2 Queue 3 Egress Limit Control 4</b> <b>Register 238 (0xEE): Port 3 Queue 3 Egress Limit Control 4</b> <b>Register 254 (0xFE): Port 4 Queue 3 Egress Limit Control 4 and Chip ID</b>				
7	Reserved and Chip ID	=0 is for the register 206/222/238 =1 is KSZ8864RMN Chip ID for the register 254	RO	0 or 1
6 – 0	Port Queue 3 Egress Limit	Egress data rate limit for priority 3 frames Egress traffic from this priority queue is shaped according to the Data Rate Selected Table. See the table follow the end of Egress limit control registers. In four queues mode, it is highest priority.	R/W	0000000

**Notes:**

1. In the port priority 0-3 ingress rate limit mode, there is a need to set all related ingress/egress ports to two queues or four queues mode.
2. In the port queue 0-3 egress rate limit mode, the highest priority get exact rate limit based on the rate select table, other priorities packets rate are based up on the ratio of the port register control 10/11/12/13 when use more than one egress queue per port.

**Data Rate Selection Table in 100BT**

<b>Rate for 100BT Mode</b> <b>1Mbps ≤ rate ≤ 99Mbps</b> <b>Rate = 100Mbps</b> <b>Less than 1Mbps see as below:</b>	<b>Priority/Queue 0-3 Ingress/Egress Limit</b> <b>Control Register bit[6:0] = Decimal</b> <b>Rate(decimal integer 1-99)</b> <b>0 or 100 (decimal), '0' is default value</b> <b>Decimal</b>
64Kbps	7'd101
128Kbps	7'd102
192Kbps	7'd103
256Kbps	7'd104
320Kbps	7'd105
384Kbps	7'd106
448Kbps	7'd107
512Kbps	7'd108
576Kbps	7'd109
640Kbps	7'd110
704Kbps	7'd111
768Kbps	7'd112
832Kbps	7'd113
896Kbps	7'd114
960Kbps	7'd115

**Table 11. 100BT Rate Selection for the Rate Limit**



**Data Rate Selection Table in 10BT**

<b>Rate for 10BT Mode</b> <b>1Mbps ≤ rate ≤ 9Mbps</b> <b>Rate = 10Mbps</b> <b>Less than 1Mbps see as below:</b>	<b>Priority/Queue 0-3 Ingress/Egress Limit</b> <b>Control Register bit[6:0] = Decimal</b> <b>Rate(decimal integer 1-9)</b> <b>0 or 10 (decimal), '0' is default value</b> <b>Decimal</b>
64Kbps	7'd101
128Kbps	7'd102
192Kbps	7'd103
256Kbps	7'd104
320Kbps	7'd105
384Kbps	7'd106
448Kbps	7'd107
512Kbps	7'd108
576Kbps	7'd109
640Kbps	7'd110
704Kbps	7'd111
768Kbps	7'd112
832Kbps	7'd113
896Kbps	7'd114
960Kbps	7'd115

**Table 12. 10BT Rate Selection for the Rate Limit**

Address	Name	Description	Mode	Default
<b>Register 191(0xBF): Testing Register</b>				
7 – 0	Reserved	N/A	RO	0x80
<b>Register 207(0xCF): Port3 Control Register 1</b>				
7	Port 3 MAC3 SW3-MII/RMII half duplex mode	1, enable SW3-MII/RMII interface half duplex mode 0, enable SW3-MII/RMII interface full duplex mode (Default)	R/W	0
6	Port 3 MAC3 SW3-MII/RMII flow control enable	1, enable full duplex flow control on SW3-MII/RMII interface 0, disable full duplex flow control on SW3-MII/RMII interface (Default)	R/W	0
5	Port 3 MAC3 SW3-MII/RMII speed setting	1, Port 3 SW3-MII/RMII interface speed at 10BT. 0, Port 3 SW3-MII/RMII interface speed at 100BT (Default)	R/W	0
4 – 0	Reserved	N/A, Do not change.	RO	0x15

Address	Name	Description	Mode	Default
<b>Register 223(0xDF): Port3 Control Register 2</b>				
7	Reserved	Reserved	RO	0
6	Select Switch Port 3 MAC 3 SW3-MII interface mode	1, Select Switch Port 3 MAC3 interface as MAC mode. 0, Select Switch Port 3 MAC3 interface as PHY mode (default).	R/W	0
5 – 0	Reserved	N/A, Do not change.	RO	0x2C
<b>Register 239(0xEF): Test Register 3</b>				
7 – 0	Reserved	N/A, Do not change.	RO	0x32
<b>Register 255(0xFF): Testing and Port 4 Control Register</b>				
7	Reserved	N/A, Do not change.	RO	0
6	Invert phase of SMTXC clock input for SW4-RMII	1 = Invert the phase of SM4TXC clock input in RMII mode, set this bit when connect SW4-RMII clock mode to SW4-RMII normal mode for two devices back to back connection at clock mode side of the device only. 0 = normal phase if SM4TXC clock input	R/W	0
5 – 0	Reserved	N/A, Do not change.	RO	000000

## Static MAC Address Table

KSZ8864RMN has a static and a dynamic address table. When a DA look-up is requested, both tables will be searched to make a packet forwarding decision. When an SA look-up is requested, only the dynamic table is searched for aging, migration, and learning purposes. The static DA look-up result will have precedence over the dynamic DA look-up result. If there are DA matches in both tables, the result from the static table will be used. The static table can only be accessed and controlled by an external SPI master (usually a processor). The entries in the static table will not be aged out by KSZ8864RMN. An external device does all addition, modification and deletion.

**Note:**

Register bit assignments are different for static MAC table reads and static MAC table write, as shown in Tables 13 and 14.

Address	Name	Description	Mode	Default
<b>Format of Static MAC Table for Reads (32 entries)</b>				
63 – 57	FID	Filter VLAN ID, representing one of the 128 active VLANs	RO	0000000
56	Use FID	1, use (FID+MAC) to look-up in static table. 0, use MAC only to look-up in static table.	RO	0
55	Reserved	Reserved.	RO	N/A
54	Override	1, override spanning tree “transmit enable = 0” or “receive enable = 0” setting. This bit is used for spanning tree implementation. 0, no override.	RO	0
53	Valid	1, this entry is valid, the look-up result will be used. 0, this entry is not valid.	RO	0
52 – 48	Forwarding Ports	The 5 bits control the forward ports, example: 00001, Reserved 00010, forward to Port 1 ..... 10000, forward to Port 4 00110, forward to Port 1 and Port 2 11111, broadcasting (excluding the ingress port)	RO	00000
47 – 0	MAC Address (DA)	48 bit MAC address.	RO	0x0

**Table 13. Format of Static MAC Table for Reads**

Address	Name	Description	Mode	Default
<b>Format of Static MAC Table for Writes (32 entries)</b>				
62 – 56	FID	Filter VLAN ID, representing one of the 128 active VLANs.	W	0000000
55	Use FID	1, use (FID+MAC) to look-up in static table. 0, use MAC only to look-up in static table.	W	0
54	Override	1, override spanning tree “transmit enable = 0” or “receive enable = 0” setting. This bit is used for spanning tree implementation. 0, no override.	W	0
53	Valid	1, this entry is valid, the look-up result will be used. 0, this entry is not valid.	W	0
52 – 48	Forwarding Ports	The 5 bits control the forward ports, example: 00001, Reserved 00010, forward to port 1 ..... 10000, forward to port 4 00110, forward to port 1 and port 2 11111, broadcasting (excluding the ingress port)	W	00000
47 – 0	MAC Address (DA)	48-bit MAC address.	W	0x0

**Table 14. Format of Static MAC Table for Writes**

**Examples:****1. Static Address Table Read (read the 2nd entry)**

Write to Register 110 with 0x10 (read static table selected)

Write to Register 111 with 0x1 (trigger the read operation)

Then

Read Register 113 (63-56)

Read Register 114 (55-48)

Read Register 115 (47-40)

Read Register 116 (39-32)

Read Register 117 (31-24)

Read Register 118 (23-16)

Read Register 119 (15-8)

Read Register 120 (7-0)

**2. Static Address Table Write (write the 8th entry)**

Write to Register 110 with 0x10 (read static table selected)

Write Register 113 (62-56)

Write Register 114 (55-48)

Write Register 115 (47-40)

Write Register 116 (39-32)

Write Register 117 (31-24)

Write Register 118 (23-16)

Write Register 119 (15-8)

Write Register 120 (7-0)

Write to Register 110 with 0x00 (write static table selected)

Write to Register 111 with 0x7 (trigger the write operation)

## VLAN Table

The VLAN table is used for VLAN table look-up. If 802.1q VLAN mode is enabled (Register 5 bit 7 = 1), this table is used to retrieve VLAN information that is associated with the ingress packet. There are three fields for FID (filter ID), Valid, and VLAN membership in the VLAN table. The three fields must be initialized before the table is used. There is no VID field because 4096 VIDs are used as a dedicated memory address index into a 1024x52-bit memory space. Each entry has four VLANs. Each VLAN has 13 bits. Four VLANs need 52 bits. There are a total of 1024 entries to support a total of 4096 VLAN IDs by using dedicated memory address and data bits. Refer to Table 17 for details. FID has 7-bits to support 128 active VLANs.

Address	Name	Description	Mode	Initial Value Suggestion
<b>Format of Static VLAN Table (Support Max 4096 VLAN ID entries and 128 Active VLANs)</b>				
12	Valid	1, the entry is valid. 0, entry is invalid.	R/W	0
11 – 7	Membership	Specifies which ports are members of the VLAN. If a DA look-up fails (no match in both static and dynamic tables), the packet associated with this VLAN will be forwarded to ports specified in this field. E.g., 11010 means Ports 4, 3, and 1 are in this VLAN. Last bit7 is reserved	R/W	11111
6 – 0	FID	Filter ID. KSZ8864RMN supports 128 active VLANs represented by these seven bit fields. FID is the mapped ID. If 802.1q VLAN is enabled, the look-up will be based on FID+DA and FID+SA.	R/W	0

**Table 15. VLAN Table**

If 802.1q VLAN mode is enabled, KSZ8864RMN assigns a VID to every ingress packet when the packet is untagged or tagged with a null VID, the packet is assigned with the default port VID of the ingress port. If the packet is tagged with non-null VID, the VID in the tag is used. The look-up process starts from the VLAN table look-up based on VID number with its dedicated memory address and data bits. If the entry is not valid in the VLAN table, the packet is dropped and no address learning occurs. If the entry is valid, the FID is retrieved. The FID+DA and FID+SA lookups in MAC tables are performed. The FID+DA look-up determines the forwarding ports. If FID+DA fails for look-up in the MAC table, the packet is broadcast to all the members or specified members (excluding the ingress port) based on the VLAN table. If FID+SA fails, the FID+SA is learned. To communicate between different active VLANs, set the same FID; otherwise set a different FID.

The VLAN table configuration is organized as 1024 VLAN sets, each VLAN set consists of 4 VLAN entries, to support up to 4096 VLAN entries. Each VLAN set has 52 bits and should be read or written at the same time specified by the indirect address.

The VLAN entries in the VLAN set is mapped to indirect data registers as follow:

Entry0[12:0] maps to the VLAN set bits[12-0] {register119[4:0], register120[7:0]}

Entry1[12:0] maps to the VLAN set bits[25-13]{register117[1:0], register118[7:0], register119[7:5]}

Entry2[12:0] maps to the VLAN set bits[38-26]{register116[6:0], register117[7:2]}

Entry3[12:0] maps to the VLAN set bits[51-39]{register114[3:0], register115[7:0], register116[7]}

In order to read one VLAN entry, the VLAN set is read first and the specific VLAN entry information can be extracted. To update any VLAN entry, the VLAN set is read first then only the desired VLAN entry is updated and the whole VLAN set is written back. Due to FID in VLAN table is 7-bit, so the VLAN table supports unique 128 flow VLAN groups. Each VLAN set address is 10 bits long (Maximum is 1024) in the indirect address register 110 and 111, the

bits [9-8] of VLAN set address is at bits [1-0] of register 110, and the bit [7-0] of VLAN set address is at bits [7-0] of register 111. Each Write and Read can access to four consecutive VLAN entries.

**Examples:****1. VLAN Table Read (read the VID=2 entry)**

Write the indirect control and address registers first

Write to Register 110 (0x6E) with 0x14 (read VLAN table selected)

Write to Register 111 (0x6F) with 0x0 (trigger the read operation for VID=0, 1, 2, 3 entries)

Then read the indirect data registers bits [38-26] for VID=2 entry:

Read Register 116 (0x74), (register116[6:0] are bits 12-6 of VLAN VID=2 entry)

Read Register 117 (0x75), (register117[7:2] are bits 5-0 of VLAN VID=2 entry)

**2. VLAN Table Write (write the VID=10 entry)**

Read the VLAN set that contains VID=8, 9, 10, 11.

Write to Register 110 (0x6E) with 0x14 (read VLAN table selected)

Write to Register 111 (0x6F) with 0x02 (trigger the read operation and VID=8, 9, 10, 11 indirect address)

Read the VLAN set first by the indirect data registers 114, 115, 116, 117, 118, 119, 120.

Modify the indirect data registers bits [38-26] by the register 116 bit [6-0] and register 117 bit [7-2] as follows:

Write to Register 116 (0x74), (register116 [6:0] are bits 12-6 of VLAN VID=10 entry)

Write to Register 117 (0x75), (register117 [7:2] are bits 5-0 of VLAN VID=10 entry)

Then write the indirect control and address registers:

Write to Register 110 (0x6E) with 0x04 (write VLAN table selected)

Write to Register 111 (0x6F) with 0x02 (trigger the write operation and VID=8, 9, 10, 11 indirect address)

Table 16 illustrates the relationship of the indirect address/data registers and VLAN ID.

Indirect Address High/Low bit[9-0] for VLAN Sets	Indirect Data Registers Bits for Each VLAN Entry	VID Numbers	VID bit[12-2] in VLAN Tag	VID bit[1-0] in VLAN Tag
0	Bits[12-0]	0	0	0
0	Bits[25-13]	1	0	1
0	Bits[38-26]	2	0	2
0	Bits[51-39]	3	0	3
1	Bits[12-0]	4	1	0
1	Bits[25-13]	5	1	1
1	Bits[38-26]	6	1	2
1	Bits[51-39]	7	1	3
2	Bits[12-0]	8	2	0
2	Bits[25-13]	9	2	1
2	Bits[38-26]	10	2	2
2	Bits[51-39]	11	2	3
:	:	:	:	:
:	:	:	:	:
:	:	:	:	:
1023	Bits[12-0]	4092	1023	0
1023	Bits[25-13]	4093	1023	1
1023	Bits[38-26]	4094	1023	2
1023	Bits[51-39]	4095	1023	3

Table 16. VLAN ID and Indirect Registers



## Dynamic MAC Address Table

Table 17 is read-only. The contents are maintained by the KSZ8864RMN only.

Address	Name	Description	Mode	Default
<b>Format of Dynamic MAC Address Table (1K entries)</b>				
71	MAC Empty	1, there is no valid entry in the table. 0, there are valid entries in the table.	RO	1
70 – 61	No of Valid Entries	Indicates how many valid entries in the table. 0x3ff means 1K entries 0x1 and bit 71 = 0: means 2 entries 0x0 and bit 71 = 0: means 1 entry 0x0 and bit 71 = 1: means 0 entry	RO	0
60 – 59	Time Stamp	2-bit counters for internal aging	RO	
58 – 56	Source Port	The source port where FID+MAC is learned. 000 Port 1 001 Port 2 010 Port 3 011 Port 4 100 Port 5	RO	0x0
55	Data Ready	1, The entry is not ready, retry until this bit is set to 0. 0, The entry is ready.	RO	
54 – 48	FID	Filter ID.	RO	0x0
47 – 0	MAC Address	48-bit MAC address.	RO	0x0

**Table 17. Dynamic MAC Address Table**

**Examples:****1. Dynamic MAC Address Table Read (read the 1st entry), and retrieve the MAC table size**

Write to Register 110 with 0x18 (read dynamic table selected)  
Write to Register 111 with 0x0 (trigger the read operation) and then  
Read Register 112 (71-64)  
Read Register 113 (63-56); // the above two registers show # of entries  
Read Register 114 (55-48) // if bit 55 is 1, restart (reread) from this register  
Read Register 115 (47-40)  
Read Register 116 (39-32)  
Read Register 117 (31-24)  
Read Register 118 (23-16)  
Read Register 119 (15-8)  
Read Register 120 (7-0)

**2. Dynamic MAC Address Table Read (read the 257th entry), without retrieving # of entries information**

Write to Register 110 with 0x19 (read dynamic table selected)  
Write to Register 111 with 0x1 (trigger the read operation) and then  
Read Register 112 (71-64)  
Read Register 113 (63-56)  
Read Register 114 (55-48) // if bit 55 is 1, restart (reread) from this register  
Read Register 115 (47-40)  
Read Register 116 (39-32)  
Read Register 117 (31-24)  
Read Register 118 (23-16)  
Read Register 119 (15-8)  
Read Register 120 (7-0)

## MIB (Management Information Base) Counters

The MIB counters are provided on per port basis. These counters are read using indirect memory access as noted in the following tables:

### For Port 1

Offset	Counter Name	Description
0x20	RxLoPriorityByte	Rx lo-priority (default) octet count including bad packets.
0x21	RxHiPriorityByte	Rx hi-priority octet count including bad packets.
0x22	RxUndersizePkt	Rx undersize packets w/good CRC.
0x23	RxFragments	Rx fragment packets w/bad CRC, symbol errors or alignment errors.
0x24	RxOversize	Rx oversize packets w/good CRC (max: 1536 or 1522 bytes).
0x25	RxJabbers	Rx packets longer than 1522B w/either CRC errors, alignment errors, or symbol errors (depends on max packet size setting) or Rx packets longer than 1916B only.
0x26	RxSymbolError	Rx packets w/ invalid data symbol and legal preamble, packet size.
0x27	RxCRCError	Rx packets within (64,1522) bytes w/an integral number of bytes and a bad CRC (upper limit depends up on max packet size setting).
0x28	RxAlignmentError	Rx packets within (64,1522) bytes w/a non-integral number of bytes and a bad CRC (upper limit depends on max packet size setting).
0x29	RxControl8808Pkts	The number of MAC control frames received by a port with 88-08h in EtherType field.
0x2A	RxPausePkts	The number of PAUSE frames received by a port. PAUSE frame is qualified with EtherType (88-08h), DA, control opcode (00-01), data length (64B min), and a valid CRC.
0x2B	RxBroadcast	Rx good broadcast packets (not including errored broadcast packets or valid multicast packets).
0x2C	RxMulticast	Rx good multicast packets (not including MAC control frames, errored multicast packets or valid broadcast packets).
0x2D	RxUnicast	Rx good unicast packets.
0x2E	Rx64Octets	Total Rx packets (bad packets included) that were 64 octets in length.
0x2F	Rx65to127Octets	Total Rx packets (bad packets included) that are between 65 and 127 octets in length.
0x30	Rx128to255Octets	Total Rx packets (bad packets included) that are between 128 and 255 octets in length.
0x31	Rx256to511Octets	Total Rx packets (bad packets included) that are between 256 and 511 octets in length.
0x32	Rx512to1023Octets	Total Rx packets (bad packets included) that are between 512 and 1023 octets in length.
0x33	Rx1024to1522Octets	Total Rx packets (bad packets included) that are between 1024 and 1522 octets in length (upper limit depends on max packet size setting).
0x34	TxLoPriorityByte	Tx lo-priority good octet count, including PAUSE packets.
0x35	TxHiPriorityByte	Tx hi-priority good octet count, including PAUSE packets.
0x36	TxLateCollision	The number of times a collision is detected later than 512 bit-times into the Tx of a packet.
0x37	TxPausePkts	The number of PAUSE frames transmitted by a port.
0x38	TxBroadcastPkts	Tx good broadcast packets (not including errored broadcast or valid multicast packets).
0x39	TxMulticastPkts	Tx good multicast packets (not including errored multicast packets or valid broadcast packets).
0x3A	TxUnicastPkts	Tx good unicast packets.
0x3B	TxDeferred	Tx packets by a port for which the 1st Tx attempt is delayed due to the busy medium.
0x3C	TxTotalCollision	Tx total collision, half-duplex only.
0x3D	TxExcessiveCollision	A count of frames for which Tx fails due to excessive collisions.
0x3E	TxSingleCollision	Successfully Tx frames on a port for which Tx is inhibited by exactly one collision.
0x3F	TxMultipleCollision	Successfully Tx frames on a port for which Tx is inhibited by more than one collision.

For Port 2, the base is 0x40, same offset definition (0x40-0x5f)

For Port 3, the base is 0x60, same offset definition (0x60-0x7f)

For Port 4, the base is 0x80, same offset definition (0x80-0x9f)

Address	Name	Description	Mode	Default
<b>Format of Per Port MIB Counters (16 entries)</b>				
31	Overflow	1, Counter overflow. 0, No Counter overflow.	RO	0
30	Count Valid	1, Counter value is valid. 0, Counter value is not valid.	RO	0
29 – 0	Counter Values	Counter value.	RO	0

### All Ports Dropped Packet MIB Counters

Offset	Counter Name	Description
0x100	Reserved	Reserved.
0x101	Port1 Tx Drop Packets	Tx packets dropped due to lack of resources.
0x102	Port2 Tx Drop Packets	Tx packets dropped due to lack of resources.
0x103	Port3 Tx Drop Packets	Tx packets dropped due to lack of resources.
0x104	Port4 Tx Drop Packets	Tx packets dropped due to lack of resources.
0x105	Reserved	Reserved
0x106	Port1 Rx Drop Packets	Rx packets dropped due to lack of resources.
0x107	Port2 Rx Drop Packets	Rx packets dropped due to lack of resources.
0x108	Port3 Rx Drop Packets	Rx packets dropped due to lack of resources.
0x109	Port4 Rx Drop Packets	Rx packets dropped due to lack of resources.

### Format of All Dropped Packet MIB Counter

Address	Name	Description	Mode	Default
<b>Format of All Port Dropped Packet MIB Counters</b>				
30 – 16	Reserved	Reserved.	N/A	N/A
15 – 0	Counter Values	Counter Value	RO	0

**Note:**

All port dropped packet MIB counters Do not indicate overflow or validity; therefore the application must keep track of overflow and valid conditions.

The KSZ8864RMN provides a total of 34 MIB counter per port. These counter are used to monitor the port detail activity for network management and maintenance. These MIB counters are read using indirect memory access as illustrated in the following examples:

### Programming Examples:

#### 1. MIB counter read (read port 1 Rx64Octets counter)

Write to Register 110 with 0x1c (read MIB counters selected)  
Write to Register 111 with 0x2e (trigger the read operation)

Then

Read Register 117 (counter value 31-24)  
// If bit 31 = 1, there was a counter overflow  
// If bit 30 = 0, restart (reread) from this register  
Read Register 118 (counter value 23-16)  
Read Register 119 (counter value 15-8)  
Read Register 120 (counter value 7-0)

#### 2. MIB counter read (read port 2 Rx64Octets counter)

Write to Register 110 with 0x1c (read MIB counter selected)  
Write to Register 111 with 0x4e (trigger the read operation)

Then

Read Register 117 (counter value 31-24)  
//If bit 31 = 1, there was a counter overflow  
//If bit 30 = 0, restart (reread) from this register  
Read Register 118 (counter value 23-16)  
Read Register 119 (counter value 15-8)  
Read Register 120 (counter value 7-0)

#### 3. MIB counter read (read port 1 tx drop packets)

Write to Register 110 with 0x1d  
Write to Register 111 with 0x01

Then

Read Register 119 (counter value 15-8)  
Read Register 120 (counter value 7-0)

#### Note:

To read out all the counters, the best performance over the SPI bus is  $(160+3) \times 8 \times 80 = 104\mu\text{s}$ , where there are 160 registers, three overhead, eight clocks per access, at 12.5MHz. In the heaviest condition, the byte counter will overflow in two minutes. It is recommended that the software read all the counters at least every 30 seconds. The per port MIB counters are designed as "read clear." A per port MIB counter will be cleared after it is accessed. All port dropped packet MIB counters are not cleared after they are accessed. The application needs to keep track of overflow and valid conditions on these counters.

## MIIM Registers

All the registers defined in this section can be also accessed via the SPI interface. Note: different mapping mechanisms used for MIIM and SPI. The "PHYAD" defined in KSZ8864RMN is assigned as "0x2" for port 1, "0x3" for port 2. The "PHYAD" of 0x1, 0x4 and 0x5 are reserved for this device, an external PHY can use other PHY address (PHYAD) from 0x6. The "REGAD" supported are 0x0-0x5 (0h-5h), 0x1D (1dh) and 0x1F (1fh).

Address	Name	Description	Mode	Default
<b>Register 0h: MII Control</b>				
15	Soft Reset	1, PHY soft reset. 0, Normal operation.	R/W (SC)	0
14	Loop Back	1 = Perform MAC loopback, loop back path as follows: Assume the loop-back is at port 1 MAC, port 2 is the monitor port. Port 1 MAC Loopback (port 1 reg. 0, bit 14 = '1') Start: RXP2/RXM2 (port 2). Can also start from port 3, 4, 5 Loopback: MAC/PHY interface of port 1's MAC End: TXP2/TXM2 (port 2). Can also end at port 3, 4, 5 respectively Setting address 0x3,4,5 reg. 0, bit 14 = '1' will perform MAC loopback on port 3, 4, 5 respectively. 0 = Normal Operation.	R/W	0
13	Force 100	1, 100Mbps. 0, 10Mbps.	R/W	1
12	AN Enable	1, Auto-negotiation enabled. 0, Auto-negotiation disabled.	R/W	1
11	Power Down	1, Power down. 0, Normal operation.	R/W	0
10	PHY Isolate	1, Electrical PHY isolation of PHY from Tx+/Tx-. 0, Normal operation.	R/W	0
9	Restart AN	1, Restart Auto-negotiation. 0, Normal operation.	R/W	0
8	Force Full Duplex	1, Full duplex. 0, Half duplex.	R/W	0
7	Collision Test	Not supported.	RO	0
6	Reserved		RO	0
5	Hp_mdix	1 = HP Auto MDI/MDI-X mode 0 = Micrel Auto MDI/MDI-X mode	R/W	1
4	Force MDI/MDI-X	1, Force MDI if disable Auto MDI/MDI-X. 0, Force MDI-X if disable Auto MDI/MDI-X.	R/W	0
3	Disable Auto MDI/MDI-X	1, Disable Auto MDI/MDI-X. 0, Enable Auto MDI/MDI-X.	R/W	0

**MIIM Registers (Continued)**

Address	Name	Description	Mode	Default
2	Disable far End fault	1, Disable far end fault detection. 0, Normal operation.	R/W	0
1	Disable Transmit	1, Disable transmit. 0, Normal operation.	R/W	0
0	Disable LED	1, Disable LED. 0, Normal operation.	R/W	0
<b>Register 1h: MII Status</b>				
15	T4 Capable	0, Not 100 BASET4 capable.	RO	0
14	100 Full Capable	1, 100BASE-TX full-duplex capable. 0, Not capable of 100BASE-TX full-duplex.	RO	1
13	100 Half Capable	1, 100BASE-TX half-duplex capable. 0, Not 100BASE-TX half-duplex capable.	RO	1
12	10 Full Capable	1, 10BASE-T full-duplex capable. 0, Not 10BASE-T full-duplex capable.	RO	1
11	10 Half Capable	1, 10BASE-T half-duplex capable. 0, 10BASE-T half-duplex capable.	RO	1
10 – 7	Reserved		RO	0
6	Preamble Suppressed	Not supported.	RO	0
5	AN Complete	1, Auto-negotiation complete. 0, Auto-negotiation not completed.	RO	0
4	far End fault	1, far end fault detected. 0, No far end fault detected.	RO	0
3	AN Capable	1, Auto-negotiation capable. 0, Not auto-negotiation capable.	RO	1
2	Link Status	1, Link is up. 0, Link is down.	RO	0
1	Jabber Test	Not supported.	RO	0
0	Extended Capable	0, Not extended register capable.	RO	0
<b>Register 2h: PHYID HIGH</b>				
15 – 0	Phyid High	High order PHYID bits.	RO	0x0022
<b>Register 3h: PHYID LOW</b>				
15 – 0	Phyid Low	Low order PHYID bits.	RO	0x1450
<b>Register 4h: Advertisement Ability</b>				
15	Next Page	Not supported.	RO	0
14	Reserved		RO	0
13	Remote fault	Not supported.	RO	0

**MIIM Registers (Continued)**

Address	Name	Description	Mode	Default
12 – 11	Reserved		RO	0
10	Pause	1, Advertise pause ability. 0, Do not advertise pause ability.	R/W	1
9	Reserved		R/W	0
8	Adv 100 Full	1, Advertise 100 full-duplex ability. 0, Do not advertise 100 full-duplex ability.	R/W	1
7	Adv 100 Half	1, Advertise 100 half-duplex ability. 0, Do not advertise 100 half-duplex ability.	R/W	1
6	Adv 10 Full	1, Advertise 10 full-duplex ability. 0, Do not advertise 10 full-duplex ability.	R/W	1
5	Adv 10 Half	1, Advertise 10 half-duplex ability. 0, Do not advertise 10 half-duplex ability.	R/W	1
4 – 0	Selector Field	802.3	RO	00001
<b>Register 5h: Link Partner Ability</b>				
15	Next Page	Not supported.	RO	0
14	LP ACK	Not supported.	RO	0
13	Remote fault	Not supported.	RO	0
12 – 11	Reserved		RO	0
10	Pause	1, link partner flow control capable. 0, link partner not flow control capable.	RO	0
9	Reserved		RO	0
8	Adv 100 Full	1, link partner 100BT full-duplex capable. 0, link partner not 100BT full-duplex capable.	RO	0
7	Adv 100 Half	1, link partner 100BT half-duplex capable. 0, link partner not 100BT half-duplex capable.	RO	0
6	Adv 10 Full	1, link partner 10BT full-duplex capable. 0, link partner not 10BT full-duplex capable.	RO	0
5	Adv 10 Half	1, link partner 10BT half-duplex capable. 0, link partner not 10BT half-duplex capable.	RO	0
4 – 0	Reserved		RO	00001
<b>Register 1dh: Reserved</b>				
15	Reserved		RO	0
14 – 13	Reserved		RO	00
12	Reserved		RO	0
11 – 9	Reserved		RO	0
8 – 0	Reserved		RO	00000000



**MIIM Registers (Continued)**

Address	Name	Description	Mode	Default
<b>Register 1fh: PHY Special Control/Status</b>				
15 – 11	Reserved		RO	0000000000
10 – 8	Port Operation Mode Indication	Indicate the current state of port operation mode: [000] = reserved. [001] = still in auto-negotiation. [010] = 10BASE-T half duplex. [011] = 100BASE-TX half duplex. [100] = reserved. [101] = 10BASE-T full duplex. [110] = 100BASE-TX full duplex. [111] = PHY/MII isolate.	RO	000
7 – 6	Reserved	N/A, Do not change.	R/W	xx
5	Polrvs	1 = Polarity is reversed. 0 = Polarity is not reversed.	RO	0
4	MDI-X status	1 = MDI 0 = MDI-X	RO	0
3	Force_Ink	1 = Force link pass. 0 = Normal operation.	R/W	0
2	Pwrsave	1 = Enable power save. 0 = Disable power save.	R/W	0
1	Remote Loopback	1 = Perform Remote loopback, loop back path as follows: Port 1 (PHY ID address 0x1 reg. 1f, bit 1 = '1') Start: RXP1/RXM1 (port 1) Loopback: PMD/PMA of port 1's PHY End: TXP1/TXM1 (port 1) Setting PHY ID address 0x2,3,4,5 reg. 1f, bit 1 = '1' will perform remote loopback on port 2, 3, 4, 5. 0 = Normal Operation.	R/W	0
0	Reserved		RO	0

### Absolute Maximum Ratings<sup>(1)</sup>

Supply Voltage

(V<sub>DDAR</sub>, V<sub>DDC</sub>) ..... -0.5V to +2.4V

(V<sub>DDAT</sub>, V<sub>DDIO</sub>) ..... -0.5V to +4.0V

Input Voltage ..... -0.5V to +4.0V

Output Voltage ..... -0.5V to +4.0V

Lead Temperature (soldering, 10s).....260°C

Storage Temperature (T<sub>s</sub>)..... -55°C to +150°C

HBM ESD Rating .....2kV

### Operating Ratings<sup>(2)</sup>

Supply Voltage

(V<sub>DDAR</sub>, V<sub>DDC</sub>) ..... +1.14V to +1.26V

(V<sub>DDAT</sub>)..... +3.15V to +3.46V

(V<sub>DDIO</sub>) ..... 3.15 to 3.46V or 2.4 to 2.6V or 1.71 to 1.89V

Ambient Temperature (T<sub>A</sub>)

Commercial.....-0°C to +70°C

Industrial .....-40°C to +85°C

Maximum Junction Temperature (T<sub>J</sub>)..... 125°C

Package Thermal Resistance<sup>(3)</sup>

Thermal Resistance (θ<sub>JA</sub>) .....31.96°C/W

Thermal Resistance (θ<sub>JC</sub>)..... 13.54°C/W

### Electrical Characteristics<sup>(4, 5)</sup>

V<sub>IN</sub> = 1.2V/3.3V (typical); T<sub>A</sub> = 25°C

Symbol	Parameter	Condition	Min.	Typ.	Max.	Units
<b>100BASE-TX Operation—All Ports 100% Utilization</b>						
I <sub>DX</sub>	100BASE-TX (Transmitter) 3.3V Analog	V <sub>DDAT</sub>		54		mA
I <sub>Dda</sub>	100BASE-TX 1.2V Analog	V <sub>DDAR</sub>		23		mA
I <sub>DDc</sub>	100BASE-TX 1.2V Digital	V <sub>DDC</sub>		41		mA
I <sub>DDIO</sub>	100BASE-TX (Digital IO) 3.3V Digital	V <sub>DDIO</sub>		12		mA
<b>10BASE-T Operation —All Ports 100% Utilization</b>						
I <sub>DX</sub>	10BASE-T (Transmitter) 3.3V Analog	V <sub>DDAT</sub>		54		mA
I <sub>Dda</sub>	10BASE-T 1.2V Analog	V <sub>DDAR</sub>		14		mA
I <sub>DDc</sub>	10BASE-T 1.2V Digital	V <sub>DDC</sub>		43		mA
I <sub>DDIO</sub>	10BASE-T (Digital IO) 3.3V Digital	V <sub>DDIO</sub>		12		mA
<b>Auto-Negotiation Mode</b>						
I <sub>DX</sub>	10BASE-T (Transmitter) 3.3V Analog	V <sub>DDAT</sub>		32		mA
I <sub>Dda</sub>	10BASE-T 1.2V Analog	V <sub>DDAR</sub>		24		mA
I <sub>EDM</sub>	10BASE-T 1.2V Digital	V <sub>DDC</sub>		59		mA
I <sub>DDIO</sub>	10BASE-T (Digital IO) 3.3V Digital	V <sub>DDIO</sub>		12		mA
<b>Power Management Mode</b>						
I <sub>PSM1</sub>	Power Saving Mode 3.3V	V <sub>DDAT</sub> + V <sub>DDIO</sub>		30		mA
I <sub>PSM2</sub>	Power Saving Mode 1.2V	V <sub>DDAR</sub> + V <sub>DDC</sub>		74		mA
I <sub>SPDM1</sub>	Soft Power Down Mode 3.3V	V <sub>DDAT</sub> + V <sub>DDIO</sub>		2		mA
I <sub>SPDM2</sub>	Soft Power Down Mode 1.2V	V <sub>DDAR</sub> + V <sub>DDC</sub>		0.55		mA
I <sub>EDM1</sub>	Energy Detect Mode 3.3V	V <sub>DDAT</sub> + V <sub>DDIO</sub>		14		mA
I <sub>EDM2</sub>	Energy Detect Mode 1.2V	V <sub>DDAR</sub> + V <sub>DDC</sub>		47		mA

**Electrical Characteristics<sup>(4, 5)</sup> (Continued)** $V_{IN} = 1.2V/3.3V$  (typical);  $T_A = 25^\circ C$ 

Symbol	Parameter	Condition	Min.	Typ.	Max.	Units
<b>CMOS Inputs</b>						
$V_{IH}$	Input High Voltage (VDDIO=3.3/2.5/1.8V)		2.0/1.8/1.3			V
$V_{IL}$	Input Low Voltage (VDDIO=3.3/2.5/1.8V)				0.8/0.7/0.5	V
$I_{IN}$	Input Current (Excluding Pull-up/Pull-down)	$V_{IN} = GND \sim V_{DDIO}$	-10		10	$\mu A$
<b>CMOS Outputs</b>						
$V_{OH}$	Output High Voltage (VDDIO=3.3/2.5/1.8V)	$I_{OH} = -8mA$	2.4/2.0/1.5			V
$V_{OL}$	Output Low Voltage (VDDIO=3.3/2.5/1.8V)	$I_{OL} = 8mA$			0.4/0.4/0.3	V
$I_{OZ}$	Output Tri-State Leakage	$V_{IN} = GND \sim V_{DDIO}$			10	$\mu A$
<b>100BASE-TX Transmit (measured differentially after 1:1 transformer)</b>						
$V_O$	Peak Differential Output Voltage	100 $\Omega$ termination on the differential output	0.95		1.05	V
$V_{IMB}$	Output Voltage Imbalance	100 $\Omega$ termination on the differential output			2	%
$t_r/t_f$	Rise/fall Time		3		5	ns
	Rise/fall Time Imbalance		0		0.5	ns
	Duty Cycle Distortion				$\pm 0.5$	ns
	Overshoot				5	%
	Output Jitters	Peak-to-peak	0	0.75	1.4	ns
<b>10BASE-T Receive</b>						
$V_{SQ}$	Squelch Threshold	5MHz square wave	300	400	585	mV
<b>10BASE-T Transmit (measured differentially after 1:1 transformer) <math>V_{DDAT} = 3.3V</math></b>						
$V_P$	Peak Differential Output Voltage	100 $\Omega$ termination on the differential output	2.2	2.5	2.8	V
	Output Jitters	Peak-to-peak		1.4	3.5	ns
	Rise/fall Times			28	30	ns

**Notes:**

- Exceeding the absolute maximum rating may damage the device.
- The device is not guaranteed to function outside its operating rating. Unused inputs must always be tied to an appropriate logic voltage level (ground or  $V_{DD}$ ).
- No heat spreader in package. The thermal junction to ambient ( $\theta_{JA}$ ) and the thermal junction to case ( $\theta_{JC}$ ) are under air velocity 0m/s.
- Specification for packaged product only. There is no an additional transformer consumption due to use on chip termination technology with internal biasing for 10Base-T and 100Base-TX.
- Measurements were taken with operating ratings.

# Timing Diagrams

## EEPROM Timing

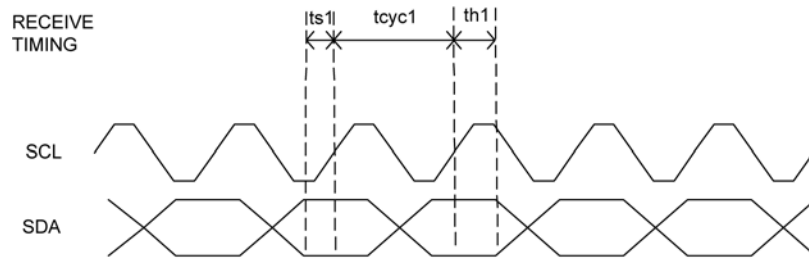


Figure 13. EEPROM Interface Input Receive Timing Diagram

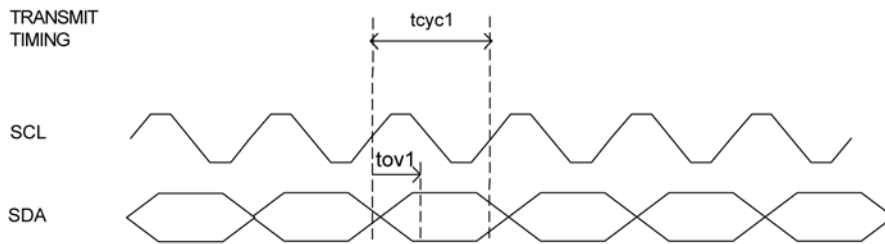


Figure 14. EEPROM Interface Output Transmit Timing Diagram

Symbol	Parameter	Min.	Typ.	Max.	Units
$t_{CYC1}$	Clock Cycle		16384		ns
$t_{S1}$	Set-Up Time	20			ns
$t_{H1}$	Hold Time	20			ns
$t_{OV1}$	Output Valid	4096	4112	4128	ns

Table 18. EEPROM Timing Parameters

### MII Timing

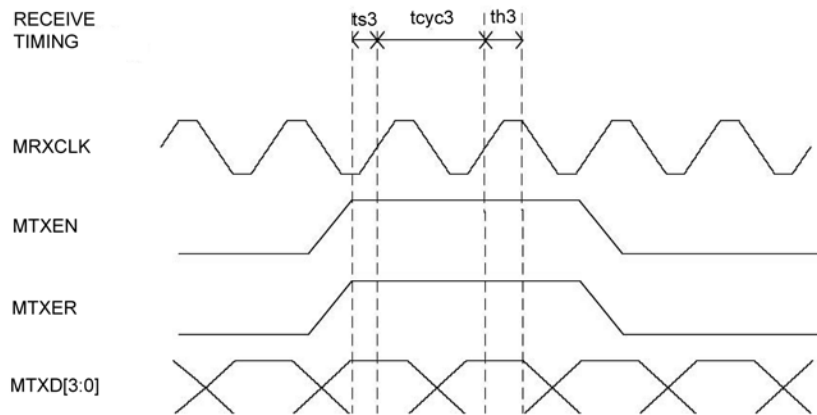


Figure 15. MAC Mode MII Timing – Data Received from MII

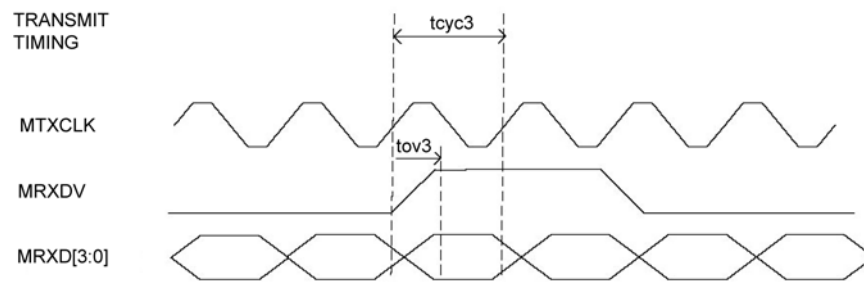
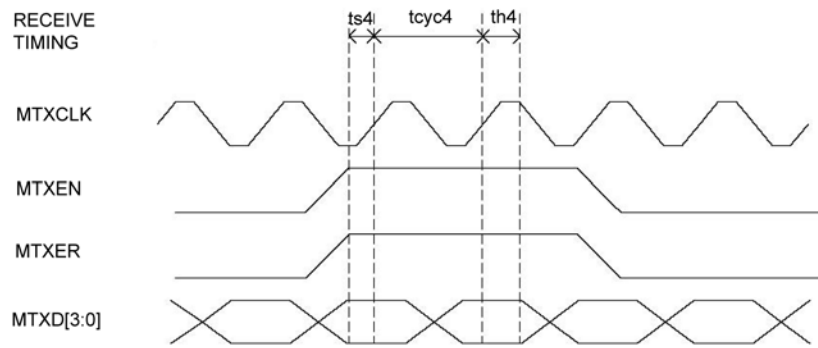


Figure 16. MAC Mode MII Timing – Data Transmitted from MII

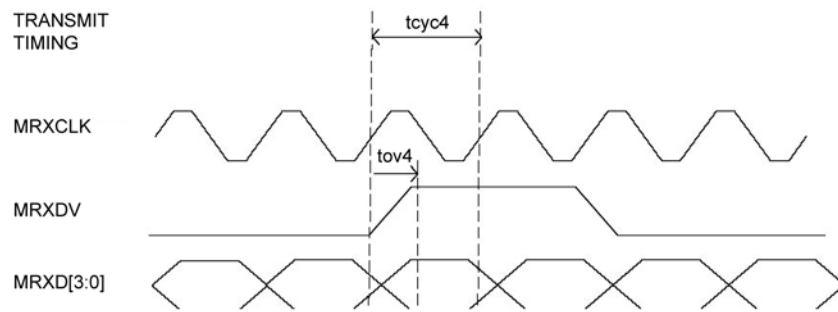
Symbol	Parameter	10Base-T/100Base-TX			
		Min.	Typ.	Max.	Units
$t_{CYC3}$	Clock Cycle		400/40		ns
$t_{S3}$	Set-Up Time	10			ns
$t_{H3}$	Hold Time	5			ns
$t_{OV3}$	Output Valid	3	9	25	ns

Table 19. MAC Mode MII Timing Parameters

**MII Timing (Continued)**



**Figure 17. PHY Mode MII Timing – Data Received from MII**



**Figure 18. PHY Mode MII Timing – Data Transmitted from MII**

Symbol	Parameter	10BaseT/100BaseT			Units
		Min.	Typ.	Max.	
$tcyc_4$	Clock Cycle		400/40		ns
$ts_4$	Set-Up Time	10			ns
$th_4$	Hold Time	0			ns
$toV_4$	Output Valid	10	20	25	ns

**Table 20. PHY Mode MII Timing Parameters**

### RMII Timing

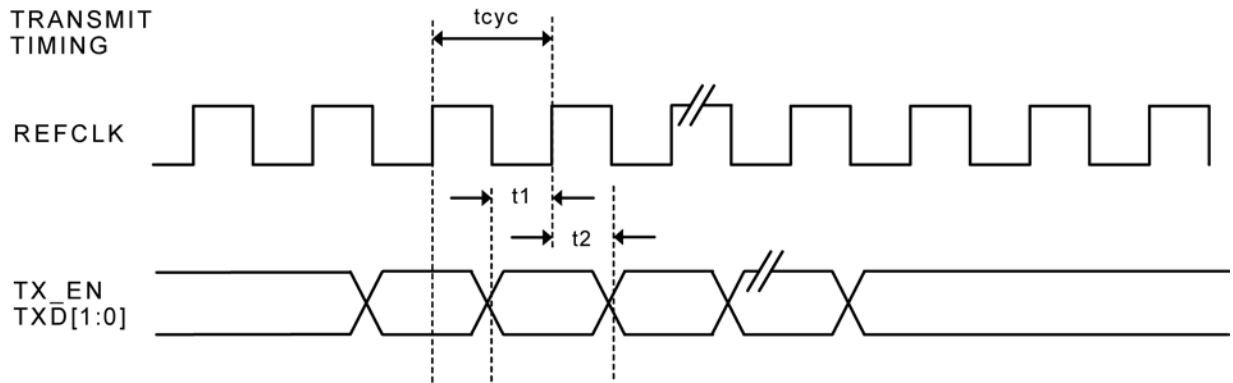


Figure 19. RMII Timing – Data Received from RMII

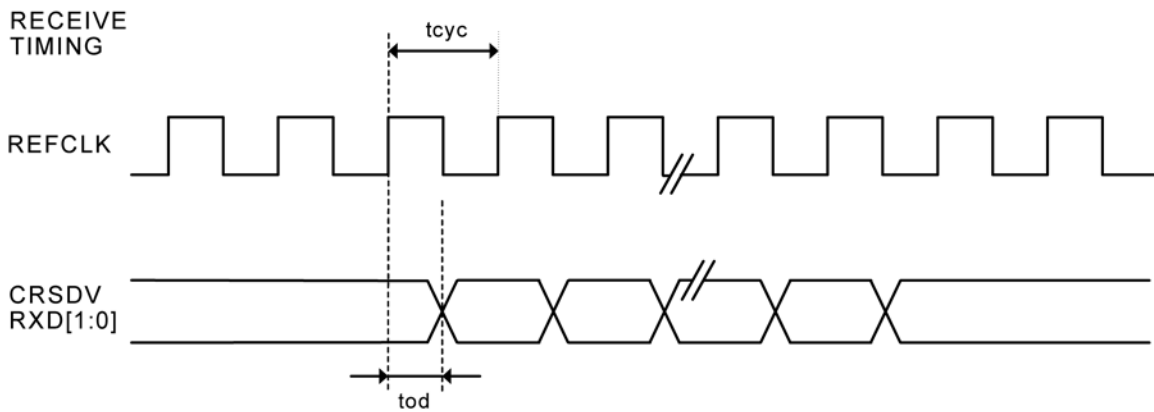


Figure 20. RMII Timing – Data Transmitted to RMII

Timing Parameter	Description	Min.	Typ.	Max.	Unit
$t_{cyc}$	Clock Cycle		20		ns
$t_1$	Setup Time	4			ns
$t_2$	Hold Time	2			ns
$t_{od}$	Output Delay	3		14	ns

Table 21. RMII Timing Parameters

## SPI Timing

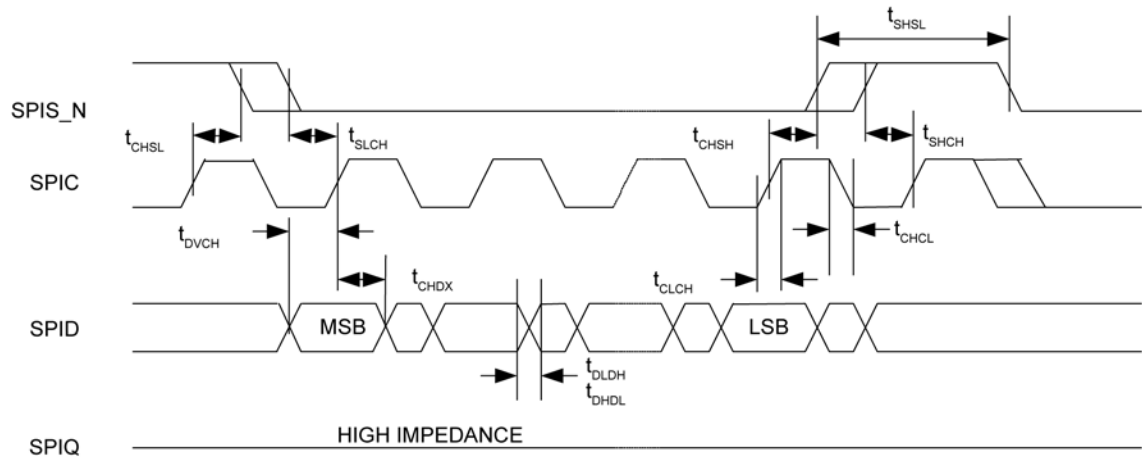


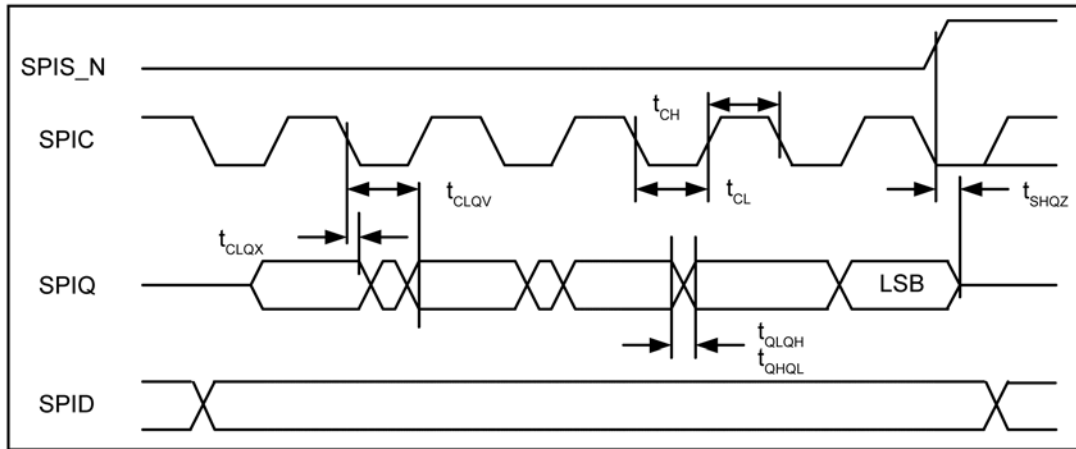
Figure 21. SPI Input Timing

Symbol	Parameter	Min.	Typ.	Max.	Units
$f_c$	Clock Frequency			25	MHz
$t_{CHSL}$	SPIS_N Inactive Hold Time	10			ns
$t_{SLCH}$	SPIS_N Active Set-Up Time	10			ns
$t_{CHSH}$	SPIS_N Active Hold Time	10			ns
$t_{SHCH}$	SPIS_N Inactive Set-Up Time	10			ns
$t_{SHSL}$	SPIS_N Deselect Time	20			ns
$t_{DVCH}$	Data Input Set-Up Time	5			ns
$t_{CHDX}$	Data Input Hold Time	5			ns
$t_{CLCH}$	Clock Rise Time			1	$\mu$ s
$t_{CHCL}$	Clock fall Time			1	$\mu$ s
$t_{DLDH}$	Data Input Rise Time			1	$\mu$ s
$t_{DHDL}$	Data Input fall Time			1	$\mu$ s

Table 22. SPI Input Timing Parameters



**SPI Timing (Continued)**



**Figure 22. SPI Output Timing**

Symbol	Parameter	Min.	Typ.	Max.	Units
$f_c$	Clock Frequency			25	MHz
$t_{CLQX}$	SPIQ Hold Time	0		0	ns
$t_{CLQV}$	Clock Low to SPIQ Valid			15	ns
$t_{CH}$	Clock High Time	18			ns
$t_{CL}$	Clock Low Time	18			ns
$t_{QLQH}$	SPIQ Rise Time			50	ns
$t_{QHQL}$	SPIQ fall Time			50	ns
$t_{SHQZ}$	SPIQ Disable Time			15	ns

**Table 23. SPI Output Timing Parameters**

### Auto-Negotiation Timing

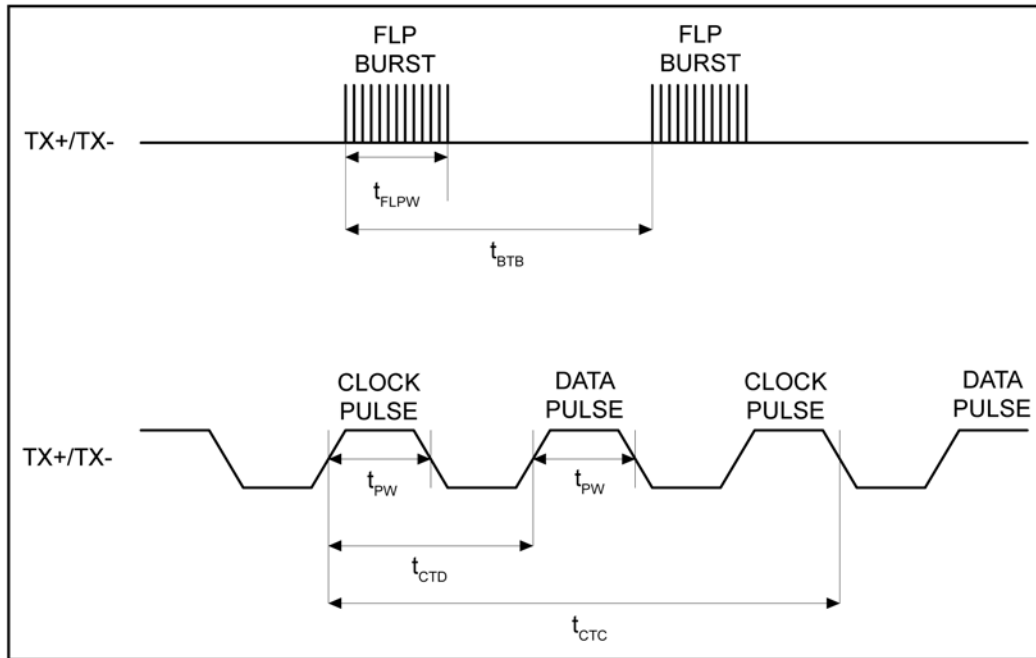
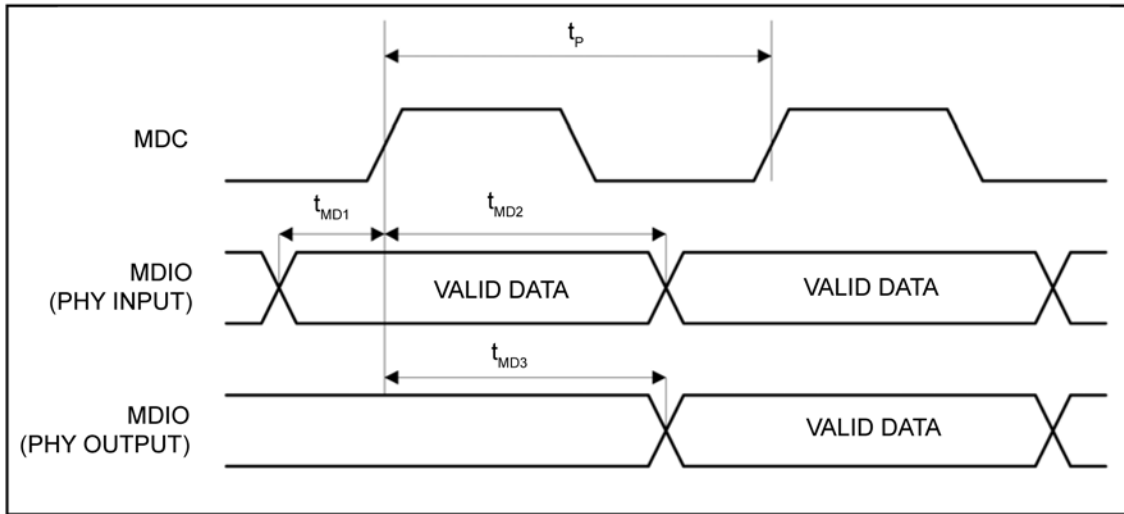


Figure 23. Auto-Negotiation Timing

Symbol	Parameter	Min.	Typ.	Max.	Units
$t_{BTB}$	FLP burst to FLP burst	8	16	24	ms
$t_{FLPW}$	FLP burst width		2		ms
$t_{PW}$	Clock/Data pulse width		100		ns
$t_{CTD}$	Clock pulse to Data pulse	55.5	64	69.5	$\mu$ s
$t_{CTC}$	Clock pulse to Clock pulse	111	128	139	$\mu$ s
	Number of Clock/Data pulse per burst	17		33	

Table 24. Auto-Negotiation Timing Parameters

**MDC/MDIO Timing**



**Figure 24. MDC/MDIO Timing**

Timing Parameter	Description	Min.	Typ.	Max.	Unit
$t_p$	MDC period		400		ns
$t_{MD1}$	MDIO (PHY input) setup to rising edge of MDC	10			ns
$t_{MD2}$	MDIO (PHY input) hold from rising edge of MDC	4			ns
$t_{MD3}$	MDIO (PHY output) delay from rising edge of MDC		222		ns

**Table 25. MDC/MDIO Typical Timing Parameters**

### Reset Timing

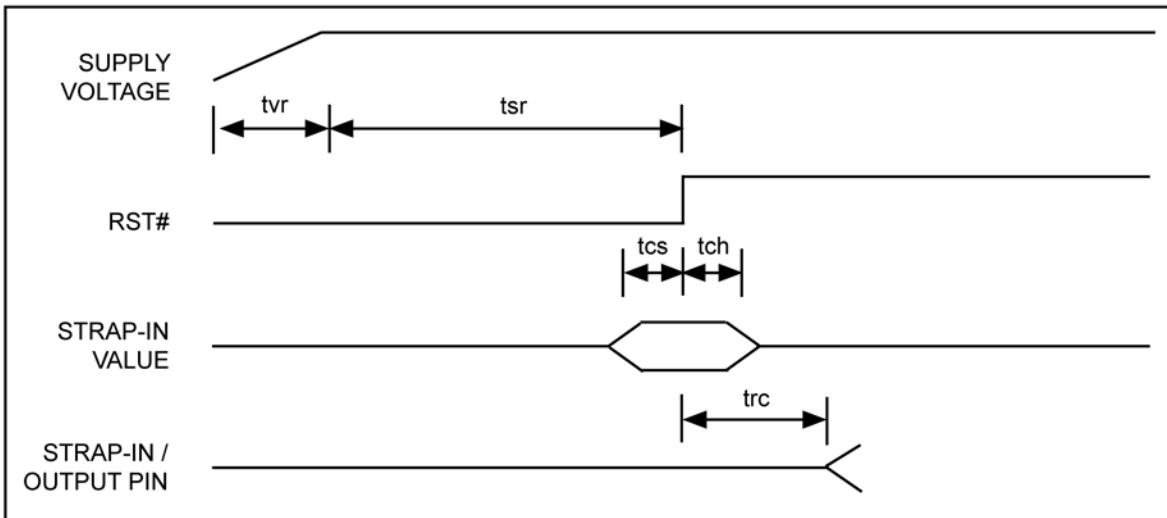


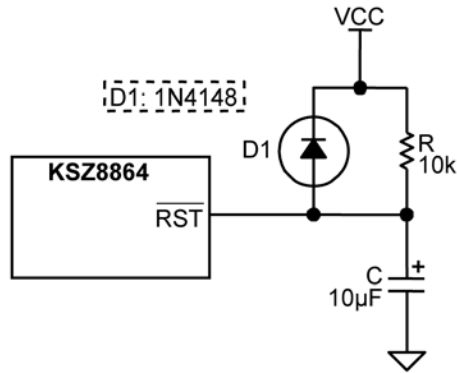
Figure 25. Reset Timing

Symbol	Parameter	Min.	Typ.	Max.	Units
$t_{SR}$	Stable Supply Voltages to Reset High	10			ms
$t_{CS}$	Configuration Set-Up Time	50			ns
$t_{CH}$	Configuration Hold Time	50			ns
$t_{RC}$	Reset to Strap-In Pin Output	50			ns
$t_{VR}$	3.3V rise time	100			us

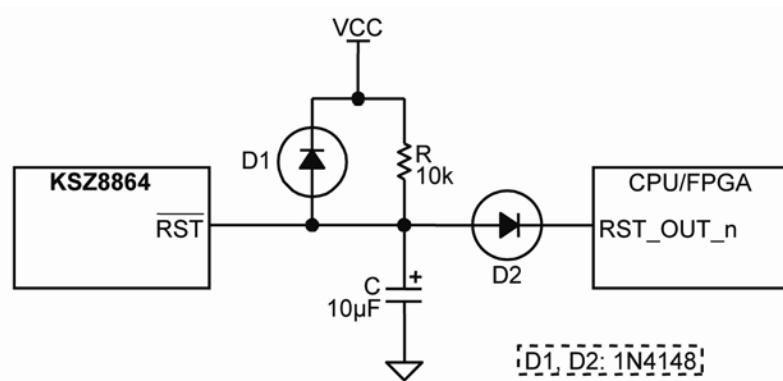
Table 26. Reset Timing Parameters

**Reset Circuit Diagram**

Micrel recommends the following discrete reset circuit, as shown in Figure 26, when powering up the KS8895MQ device. For the application where the reset circuit signal comes from another device (e.g., CPU, FPGA, etc), Micrel recommends the reset circuit, as shown in Figure 27.



**Figure 26. Recommended Reset Circuit**



**Figure 27. Recommended Circuit for Interfacing with CPU/FPGA Reset**

In the reset circuit, R, C, and D1 provide the necessary ramp rise time to reset the Micrel device. The D2 is for isolation between Micrel device and CPU/FPGA. The reset out RST\_OUT\_n from CPU/FPGA can provides the warm reset after power-up.

## Selection of Isolation Transformer<sup>(1)</sup>

One simple 1:1 isolation transformer is needed at the line interface. An isolation transformer with integrated common-mode choke is recommended for exceeding FCC requirements at line side. Request to separate the center taps of RX/TX at chip side. Table 30 gives recommended transformer characteristics.

Characteristics Name	Value	Test Condition
Turns Ratio	1 CT : 1 CT	
Open-Circuit Inductance (minimum)	350 $\mu$ H	100mV, 100kHz, 8mA
Leakage Inductance (maximum)	0.4 $\mu$ H	1MHz (min.)
Inter-Winding Capacitance (maximum)	12pF	
D.C. Resistance (maximum)	0.9 $\Omega$	
Insertion Loss (maximum)	1.0dB	0MHz to 65MHz
HIPOT (minimum)	1500Vrms	

**Table 27. Transformer Selection Criteria**

### Notes:

1. The IEEE 802.3u standard for 100BASE-TX assumes a transformer loss of 0.5dB. For the transmit line transformer, insertion loss of up to 1.3dB can be compensated by increasing the line drive current by means of reducing the ISET resistor value.
2. The center taps of RX and TX should be isolated for the low power consumption.

## Selection of Transformer Vendors

The following transformer vendors provide compatible magnetic parts for Micrel's device:

Single Port Integrated		Auto MDIX	Number of Ports	Single Port		Auto MDIX	Number of Ports
Vendor	Part			Vendor	Part		
TDK	TLA-6T718A	Yes	1	Pulse	H1102	Yes	1
LanKom	LF-H41S	Yes	1	Bel Fuse	S558-5999-U7	Yes	1
Transpower	HB726	Yes	1	YCL	PT163020	Yes	1
Delta	LF8505	Yes	1	Datatronic	NT79075	Yes	1

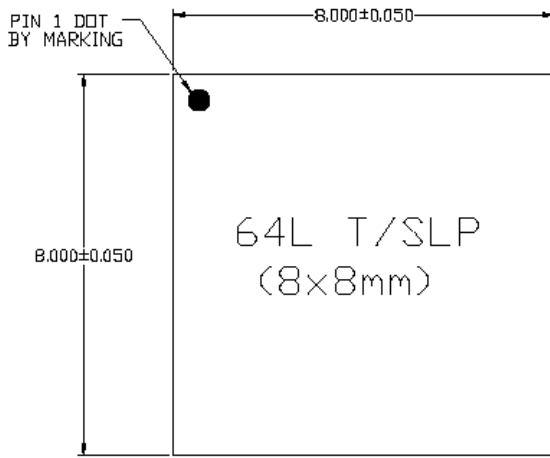
**Table 28. Qualified Magnetic Vendors**

## Selection of Reference Crystal

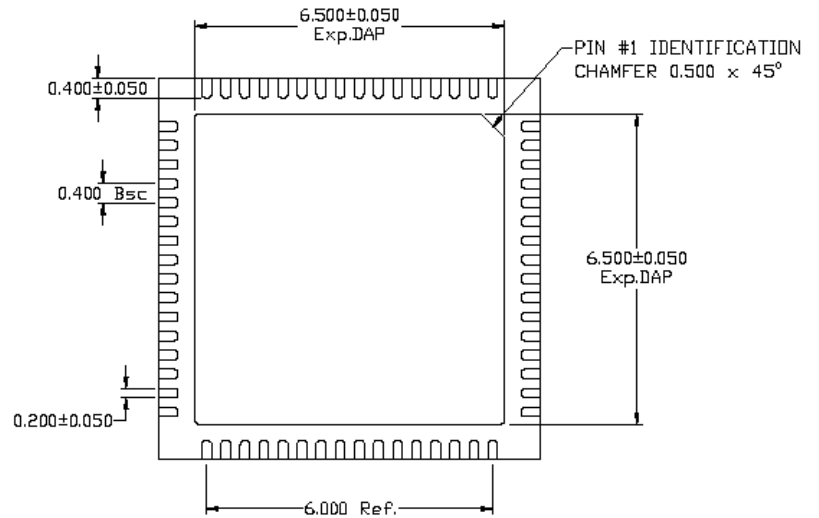
Characteristics	Value	Units
Frequency	25.00000	MHz
Frequency Tolerance (maximum)	$\leq \pm 50$	ppm
Load Capacitance (maximum)	27	pF
Series Resistance (maximum ESR)	40	$\Omega$

**Table 29. Typical Reference Crystal Characteristics**

**Package Information**



TOP VIEW

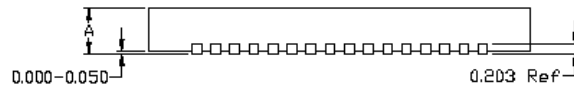


BOTTOM VIEW

NOTE:

1) TSLP AND SLP SHARE THE SAME EXPOSE OUTLINE BUT WITH DIFFERENT THICKNESS:

		TSLP	SLP
A	MAX.	0.800	0.900
	NOM.	0.750	0.850
	MIN.	0.700	0.800

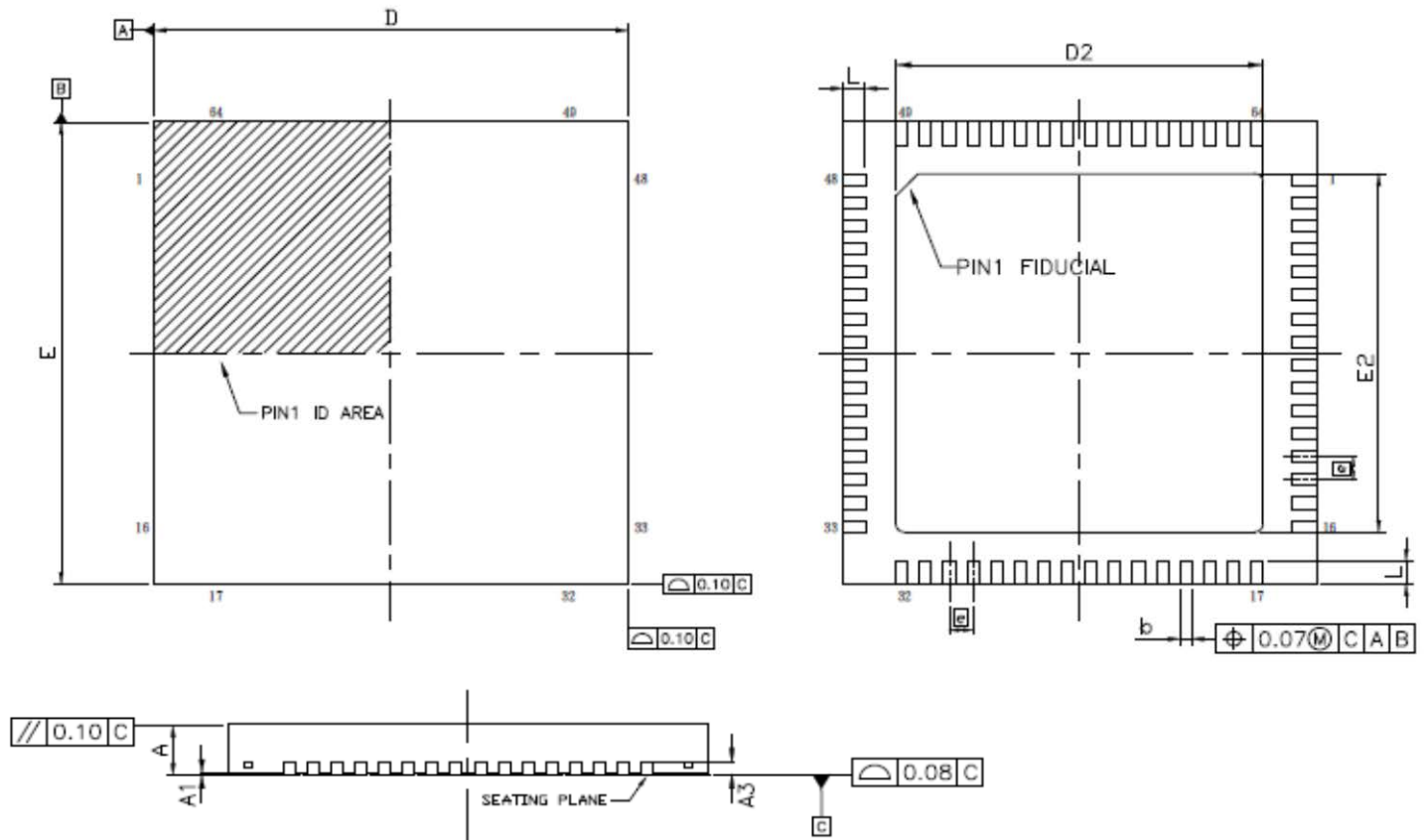


SIDE VIEW

**64-Pin (8mm x 8mm) QFN Package 6.5mm x 6.5mm ePad for KSZ8864RMN/RMNI Rev. A3**

TOP VIEW

BOTTOM VIEW



SYMBOL	DIMENSION (MM)		
	MIN.	NOM.	MAX.
A	0.80	0.85	0.90
A1	0	0.02	0.05
A3	0.203 REF		
b	0.15	0.20	0.25
D	7.90	8.00	8.10
D2	6.10	6.20	6.30
E	7.90	8.00	8.10
E2	6.10	6.20	6.30
e	0.40 BSC		
L	0.35	0.40	0.45

NOTE:

1. DIMENSIONING AND TOLERANCING REFER TO JEDEC STD. MO-220.
2. DIMENSION 'b' APPLINES TO METALLIZED TERMINAL AND IS MEASURED BETWEEN 0.15 AND 0.25mm FROM TERMINAL TIP.
3. LEADFRAME MATERIAL IS OLIN194 AND THINKNESS IS 0.203mm (8 MIL).
4. LEADFRAME NO. 1088-080-582XX.
5. LEAD FINISH IS NIPDAU.

**64-Pin (8mm x 8mm) QFN Package 6.2mm x 6.2mm ePad for KSZ8864RMN/RMNI Rev A4 (SPNx801113), KSZ8864RMNU**



---

**MICREL, INC. 2180 FORTUNE DRIVE SAN JOSE, CA 95131 USA**  
TEL +1 (408) 944-0800 FAX +1 (408) 474-1000 WEB <http://www.micrel.com>

Micrel, Inc. is a leading global manufacturer of IC solutions for the worldwide high performance linear and power, LAN, and timing & communications markets. The Company's products include advanced mixed-signal, analog & power semiconductors; high-performance communication, clock management, MEMs-based clock oscillators & crystal-less clock generators, Ethernet switches, and physical layer transceiver ICs. Company customers include leading manufacturers of enterprise, consumer, industrial, mobile, telecommunications, automotive, and computer products. Corporation headquarters and state-of-the-art wafer fabrication facilities are located in San Jose, CA, with regional sales and support offices and advanced technology design centers situated throughout the Americas, Europe, and Asia. Additionally, the Company maintains an extensive network of distributors and reps worldwide.

Micrel makes no representations or warranties with respect to the accuracy or completeness of the information furnished in this datasheet. This information is not intended as a warranty and Micrel does not assume responsibility for its use. Micrel reserves the right to change circuitry, specifications and descriptions at any time without notice. No license, whether express, implied, arising by estoppel or otherwise, to any intellectual property rights is granted by this document. Except as provided in Micrel's terms and conditions of sale for such products, Micrel assumes no liability whatsoever, and Micrel disclaims any express or implied warranty relating to the sale and/or use of Micrel products including liability or warranties relating to fitness for a particular purpose, merchantability, or infringement of any patent, copyright, or other intellectual property right.

Micrel Products are not designed or authorized for use as components in life support appliances, devices or systems where malfunction of a product can reasonably be expected to result in personal injury. Life support devices or systems are devices or systems that (a) are intended for surgical implant into the body or (b) support or sustain life, and whose failure to perform can be reasonably expected to result in a significant injury to the user. A Purchaser's use or sale of Micrel Products for use in life support appliances, devices or systems is a Purchaser's own risk and Purchaser agrees to fully indemnify Micrel for any damages resulting from such use or sale.

© 2010 Micrel, Incorporated.