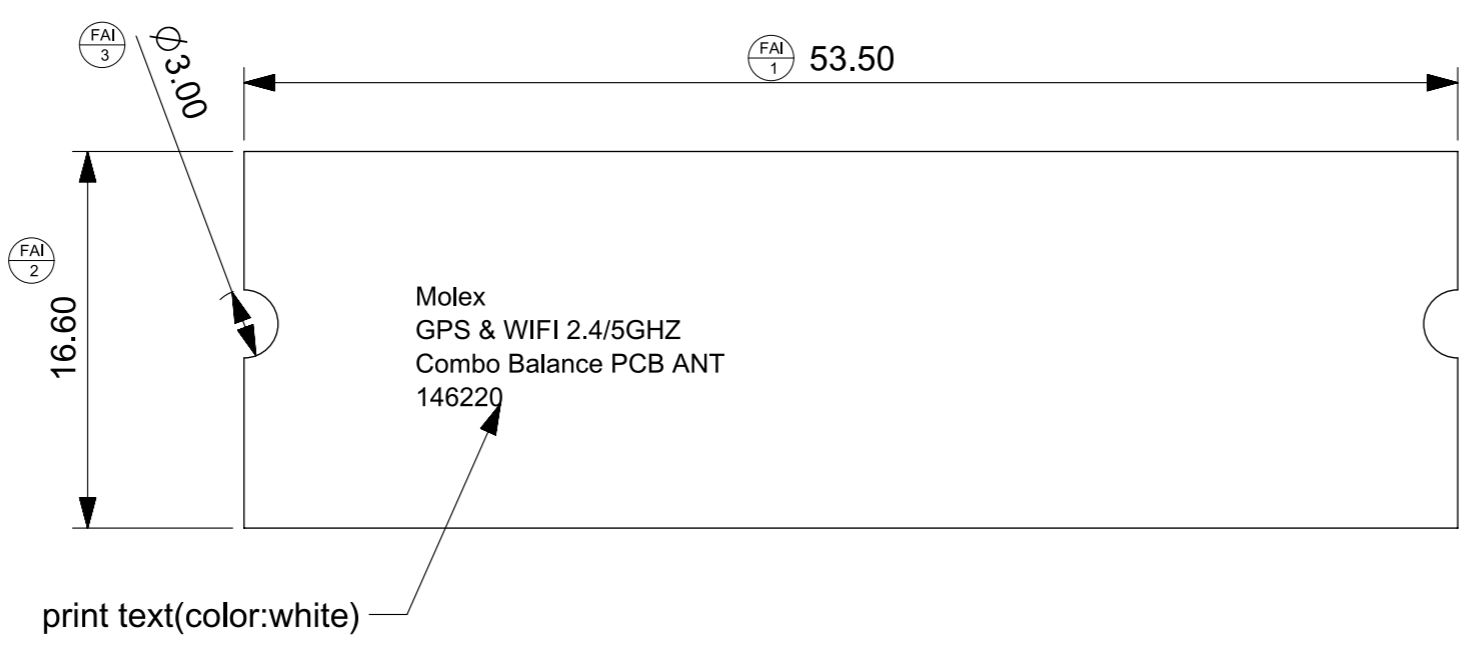


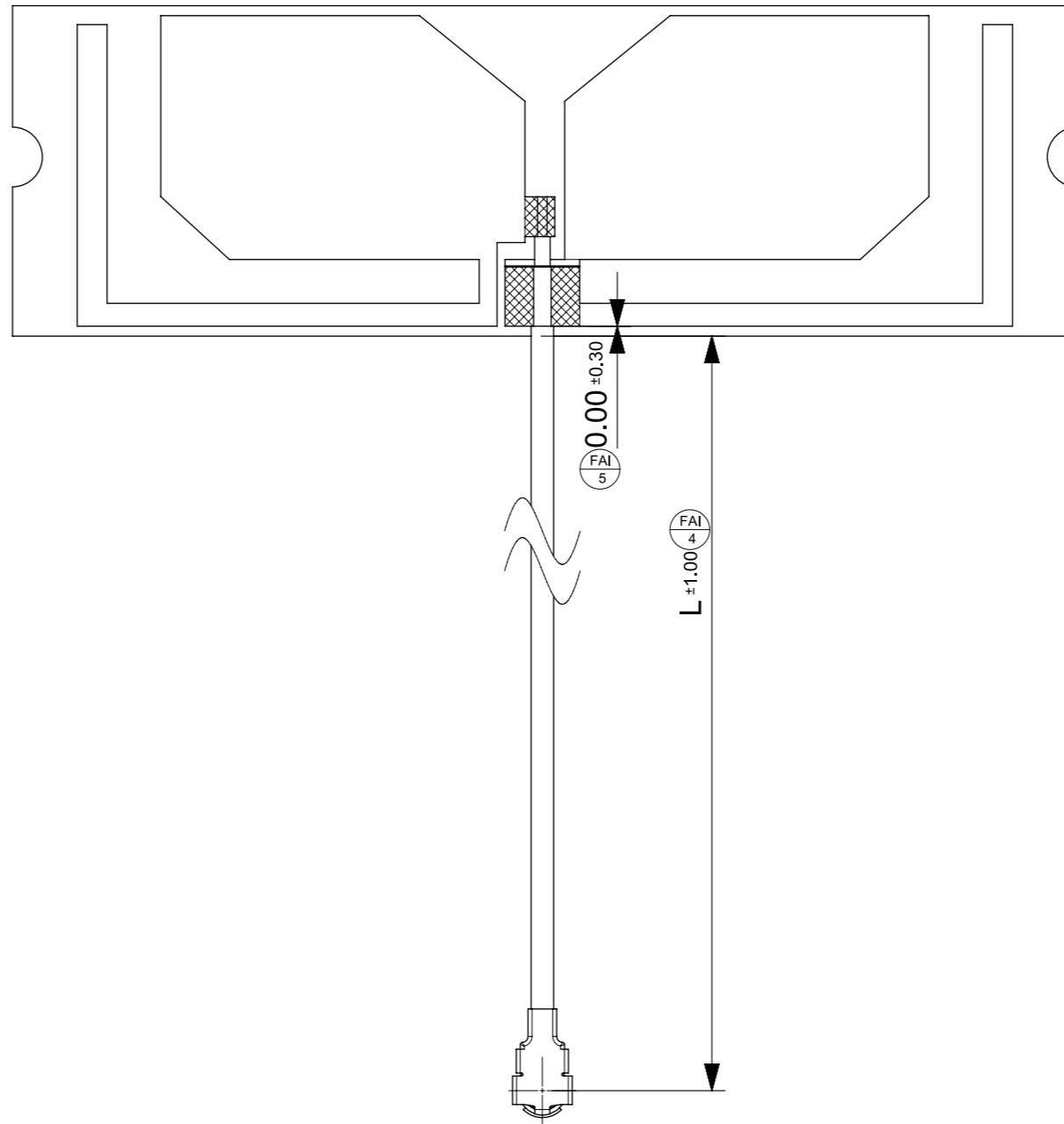
MOLEX				CUSTOMER				DRAWING LOCATION	CHANGE DESCRIPTION	AFFECTED DEPT
DRAWING NO.	REV	ECN NO.	DATA	P/N	P/N	3D REV	2D REV			
SD-146220-050	A	ABU2016-0045	2015/11/17	1462200050				NEW RELEASE		



ITEM	ASSY P/N	DESCRIPTION
1	1462200050	Flex +50mm Cable
2	1462200100	Flex +100mm Cable
3	1462200150	Flex +150mm Cable
4	1462200200	Flex +200mm Cable
5	1462200250	Flex +250mm Cable
6	1462200300	Flex +300mm Cable

NOTE:
1.Material: PCB 53.5mm * 16.6mm thickness 0.8mm
Base Copper: 18~20um
2.Tolerance on all copper artwork is +/-0.05mm.
3.Tolerance on all die cutlines is +/-0.1mm.
4.Tolerance between artwork and die cutline is +/-0.25mm.Others: +/-0.2mm
5.Ni&Au plating in the solder pad area:
Ni: 2-6 um, Au: min. 0.025 um thickness
6.Solder Mask: Green

THIS DRAWING CONTAINS INFORMATION THAT IS PROPRIETARY TO MOLEX INCORPORATED AND SHOULD NOT BE USED WITHOUT WRITTEN PERMISSION									
EC DESCRIPTION EC NO: ABU2016-0045 DRWN: ZLRAO CHK'D: Chris Yu APPR: Welson Tan	11/17/15 11/17/15 11/17/15	QUALITY SYMBOLS	GENERAL TOLERANCES (UNLESS SPECIFIED)	DIMENSION UNITS	SCALE				
		▽ = 0	ANGULAR TOL ± 1/2 °	mm	5:1				
		▽ = 0	4 PLACES ± 0.00000	DRWN BY	DATE	GPS & WIFI 2.4/5GHZ BALANCE ANTENNA_ASSY			
		▽ = 0	3 PLACES ± 0.0000	ZLRAO	2015/11/17				
			2 PLACES ± 0.000	CHK'D BY	DATE	PRODUCT DESIGN DRAWING			
	1 PLACE ± 0.00	Chris Yu	2015/11/17						
	0 PLACES ± 0.00	APPR BY	DATE	SERIES: 146220 MATERIAL NUMBER: See Table CUSTOMER: GENERAL MARKET					
		Welson Tan	2015/11/17						
		DRAFT WHERE APPLICABLE MUST REMAIN WITHIN DIMENSIONS	DRAWING SIZE	THIRD ANGLE PROJECTION	DOCUMENT NUMBER: SD-146220-050 DOC TYPE: XXX DOC PART: XXX SHEET NUMBER: 1 OF 2				
			A3						



ITEM	CABLE TYPE	CABLE LENGTH "L"
1	CABLE 50MM	43MM
2	CABLE 100MM	93MM
3	CABLE 150MM	143MM
4	CABLE 200MM	193MM
5	CABLE 250MM	243MM
6	CABLE 300MM	293MM

NOTE:

- 1.The dimesndion with tolerance in box should be controlled by flex supplier and tolerance of other dimension $\pm 0.2\text{mm}$
- 2.The cable line can not be rotated with the weld point for more than 60 degrees.
3. For pull test, can not lift up in the vertical direction
- 4.After RF test, please use the cap to protection connector, the cap material:PVC,type:FP EC3.0-10(0.9)

THIS DRAWING CONTAINS INFORMATION THAT IS PROPRIETARY TO MOLEX INCORPORATED AND SHOULD NOT BE USED WITHOUT WRITTEN PERMISSION											
EC DESCRIPTION EC NO: ABU2016-0045 DRWN: ZLRAO CHK'D: Chris Yu APPR: Welson Tan	11/17/15 11/17/15 11/17/15	QUALITY SYMBOLS	GENERAL TOLERANCES (UNLESS SPECIFIED)	DIMENSION UNITS	SCALE						
		$\nabla = 0$ $\nabla = 0$ $\nabla = 0$	ANGULAR TOL $\pm 1/2^\circ$ 4 PLACES ± 0.00000 3 PLACES ± 0.00000 2 PLACES ± 0.000 1 PLACE ± 0.00 0 PLACES ± 0.00	mm	4:1						
				DRWN BY	DATE	GPS & WIFI 2.4/5GHZ BALANCE ANTENNA_ASSY					
				ZLRAO	2015/11/17						
				CHK'D BY	DATE						
		Chris Yu	2015/11/17	PRODUCT DESIGN DRAWING							
		APPR BY	DATE	SERIES	MATERIAL NUMBER	CUSTOMER					
		Welson Tan	2015/11/17	146220	See Table	GENERAL MARKET					
		DRAFT WHERE APPLICABLE MUST REMAIN WITHIN DIMENSIONS	DRAWING SIZE	THIRD ANGLE PROJECTION	DOCUMENT NUMBER	DOC TYPE	DOC PART	SHEET NUMBER			
			A3		SD-146220-050	XXX	XXX	2 OF 2			